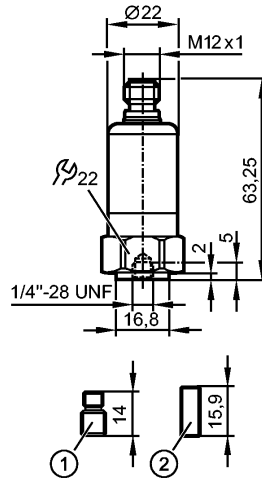


**VTV121**

VIBRATION TRANSMITTER

Diagnostic systems



- 1: Threaded adapter 1/4"-28 UNF / M8 x 1.25 mm
  - 2: Threaded adapter 1/4"-28 UNF
- tightening torque 8 Nm



**Product characteristics**

Vibration transmitter
VTV
Connection via M12 connector
Vibration transmitter to ISO 10816
Measuring range RMS: 0...50 mm/s
Analog output 4...20 mA
2-wire connection technology

**Application**

Application	Vibration transmitter $V_{rms}$ to ISO 10816
-------------	--

**Electrical data**

Operating voltage [V]	9.6...32 DC
Protection class	III

**Inputs / outputs**

Inputs / outputs total	1
------------------------	---

**Outputs**

analog	
current output [mA]	4...20
Max. load [ $\Omega$ ]	max. $(U_b - 9.6 V) \times 50$ ; 720 at $U_b = 24 V$

**Measuring / setting range**

Measuring range [mm/s]	0...50 RMS
Frequency range [Hz]	10...1000

**Accuracy / deviations**

Accuracy [% of the final value]	$< \pm 3$
Repeatability	$< 0.5 \%$
Linearity	0.25 %

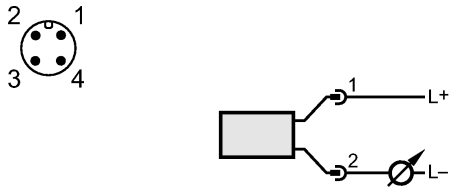
**Environment**

Ambient temperature [ $^{\circ}C$ ]	-30...125
Protection	IP 67 / IP 68 / IP 69K

**VTV121**

VIBRATION TRANSMITTER

**Diagnostic systems**

Tests / approvals	
EMC	EN 61000-4-2 ESD: 4 kV CD / 8 kV AD EN 61000-4-3 HF radiated: 10 V/m EN 61000-4-4 Burst: 2 kV EN 61000-4-5 Surge: 1 kV EN 61000-4-6 HF conducted: 10 V
Shock resistance	400 g
MTTF [Years]	865
Mechanical data	
Type of sensor	Microelectromechanical system (MEMS)
Number of measurement axes	1
Housing materials	stainless steel 316L / 1.4404
Type of mounting	set screw
Weight [kg]	0.122
Electrical connection	
Connection	M12 connector
<b>Wiring</b> 1: L+ 2: 4...20 mA 3: not used	

Remarks	
Pack quantity [piece]	1