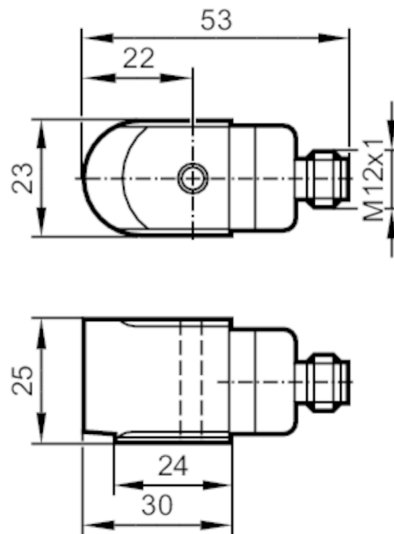


# VSP003



## Accelerometer

VIBRATION SENSOR



Product characteristics		
Measuring range of vibration	[g]	-50...50
Frequency range	[Hz]	1.5...16000
Measuring principle		piezoelectric
Application		
Design		for connection to external diagnostic electronics VSE
Electrical data		
Operating voltage	[V]	10...12 DC
Insulation rating	[V]	100; (500 V DC)
Current consumption	[mA]	0.5...8
Reverse polarity protection		yes
Measuring/setting range		
Measuring range of vibration	[g]	-50...50
Frequency range	[Hz]	1.5...16000
Measuring principle		piezoelectric
Noise density	[mg]	0.1
Max. transverse sensitivity	[%]	5
Minimum measuring time	[s]	1
Number of measurement axes		1
Accuracy / deviations		
Accuracy		± 10 %
Measuring sensitivity		100 mV/g
Interfaces		
Communication interface		IEPE

# VSP003



## Accelerometer

VIBRATION SENSOR

Operating conditions		
Ambient temperature	[°C]	-55...130
Storage temperature	[°C]	-55...130
Protection		IP 67
Tests / approvals		
EMC	EN 61326-1	: 2013
Shock resistance	EN 61326-1	: 2013
MTTF	[years]	1142
Mechanical data		
Weight	[g]	135
Type of mounting		M8 x 1,25
Material		housing: stainless steel
Tightening torque	[Nm]	8
Remarks		
Pack quantity		1 pcs.

### Electrical connection

Connector: 1 x M12; coding: A



1	not used
2	IEPE +
3	not used
4	IEPE -