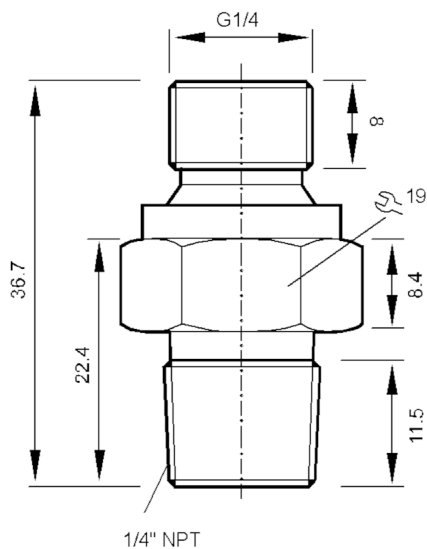


# U20172



## Screw-in adapter for process sensors

ADTR, G1/4, 1/4", M/M, W/GASKT



### Tests / approvals

Safety instructions

The compatibility between medium and product material has to be checked in all applications.

### Mechanical data

Weight	[g]	45.359
Material		Adapter: stainless steel (1.4401 / 316); sealing: stainless steel / Viton
Sensor connection		G 1/4 external thread
Process connection		1/4" NPT external thread

### Accessories

Accessories (optional)		sealing, EPDM, E30442
------------------------	--	-----------------------

### Remarks

Pack quantity		1 pcs.
---------------	--	--------