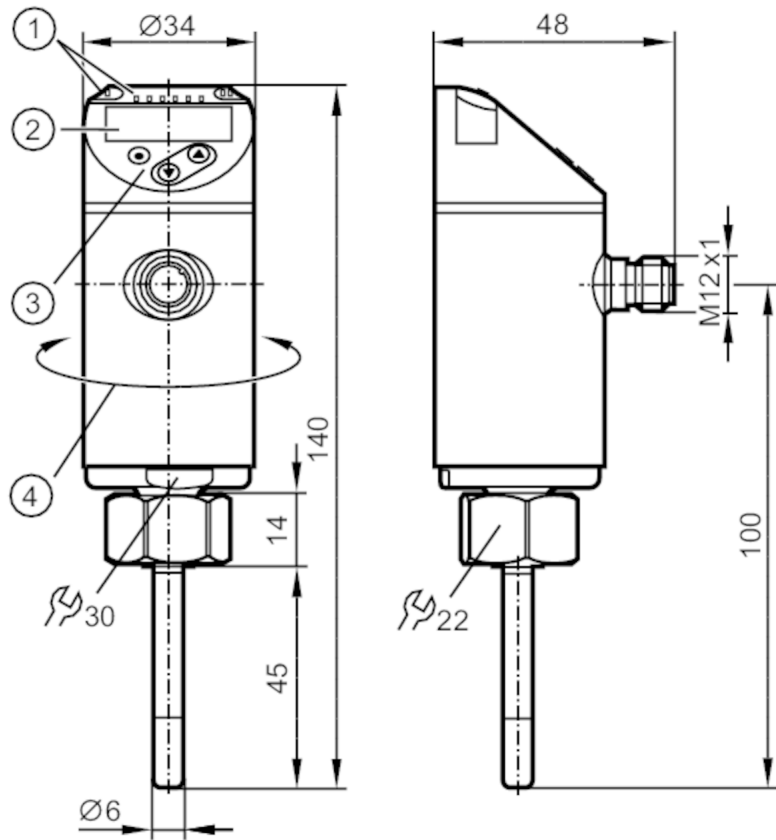


TY2511



Temperature sensor with display

TN-045K CBD18-MFPKG/US/



- 1 LEDs Display unit / Switching status
- 2 alphanumeric display 4-digit red/green
- 3 Programming buttons
- 4 upper part of the housing can be rotated 345°



Product characteristics

Number of inputs and outputs	Number of digital outputs: 1; Number of analog outputs: 1
Measuring range [°C]	-50...150
Process connection	threaded connection M18 x 1,5 Internal thread
Installation length EL [mm]	45

Application

System	gold-plated contacts
Measuring element	1 x Pt 1000; (to DIN EN 60751, class A)
Media	liquids and gases
Pressure rating [bar]	300
Minimum installation depth [mm]	12

TY2511



Temperature sensor with display

TN-045K CBD18-MFPKG/US/

Electrical data		
Operating voltage	[V]	18...32 DC; (cULus - Class 2 source required)
Current consumption	[mA]	< 50
Protection class		III
Reverse polarity protection		yes
Power-on delay time	[s]	1
Integrated watchdog		yes
Inputs / outputs		
Number of inputs and outputs		Number of digital outputs: 1; Number of analog outputs: 1
Outputs		
Total number of outputs		2
Output signal		switching signal; analog signal; IO-Link; (configurable)
Electrical design		PNP/NPN
Number of digital outputs		1
Output function		normally open / closed; (configurable)
Max. voltage drop switching output DC	[V]	2.5
Permanent current rating of switching output DC	[mA]	250
Number of analog outputs		1
Analog current output	[mA]	4...20
Max. load	[Ω]	500
Analog voltage output	[V]	0...10
Min. load resistance	[Ω]	2000
Short-circuit protection		yes
Type of short-circuit protection		yes (non-latching)
Overload protection		yes
Measuring/setting range		
Probe length L	[mm]	45
Measuring range	[°C]	-50...150
Factory setting		-40...150 °C
Set point SP	[°C]	-49.8...150
Reset point rP	[°C]	-50...149.8
Analog start point	[°C]	-50...145
Analog end point	[°C]	-45...150
In steps of	[°C]	0.1
Resolution		
Resolution of switching output	[K]	0.1
Resolution of analog output	[K]	current output: MS / 4096; voltage output: MS / 3561
Resolution of display	[K]	0.1

TY2511



Temperature sensor with display

TN-045K CBD18-MFPKG/US/

Accuracy / deviations		
Switch point accuracy	[K]	$\pm 0,3 + (\pm 0,1 \% \text{ MS})$
Precision analog output	[K]	$\pm 0,3 + (\pm 0,1 \% \text{ MS})$
Display accuracy	[K]	$\pm 0,3 + (\pm 0,1 \% \text{ MS})$
Temperature coefficient [% of the span / 10 K]		0,1; (In case of deviation from the reference condition 25 °C)
Reaction times		
Dynamic response T05 / T09	[s]	1 / 3; (according to DIN EN 60751)
Software / programming		
Parameter setting options		hysteresis / window; normally open / closed; switching logic; switch-on/switch-off delay; Damping
Interfaces		
Communication interface		IO-Link
Transmission type		COM2 (38,4 kBaud)
IO-Link revision		1.1
Operating conditions		
Ambient temperature	[°C]	-25...80
Storage temperature	[°C]	-40...100
Protection		IP 67
Tests / approvals		
EMC		DIN EN 61000-6-2
		DIN EN 61000-6-3
Shock resistance		DIN IEC 68-2-27
Vibration resistance		DIN EN 60068-2-6
MTTF	[years]	470
UL approval		UL approval number
		K013
Mechanical data		
Weight	[g]	197
Housing		Compact type for adapter
Material		stainless steel (1.4404 / 316L); PBT+PC-GF30; PBT-GF20; PC
Materials (wetted parts)		stainless steel (1.4404 / 316L); O-ring: FKM 80 Shore A
Process connection		threaded connection M18 x 1,5 Internal thread
Installation length EL	[mm]	45
Displays / operating elements		
Display	Display unit	1 x LED, green
	Switching status	LED, yellow
	Measured values	alphanumeric display, red/green 4-digit
Remarks		
Remarks		MS = set measuring span The values for accuracy apply to flowing water.
Pack quantity		1 pcs.
Electrical connection		
Connector: 1 x M12; coding: A; Contacts: gold-plated		

TY2511

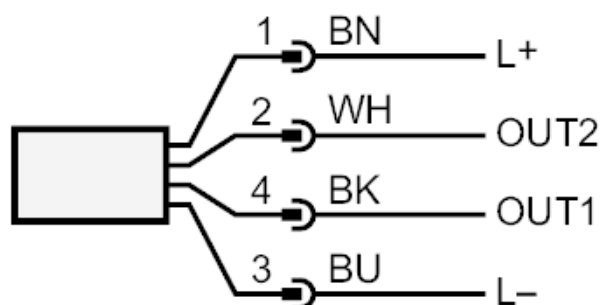


Temperature sensor with display

TN-045KCBD18-MFPKG/US/



Connection



OUT1: Switching output / IO-Link

OUT2: analog output

Colors to DIN EN 60947-5-2

Core colors :

BK = black

BN = brown

BU = blue

WH = white