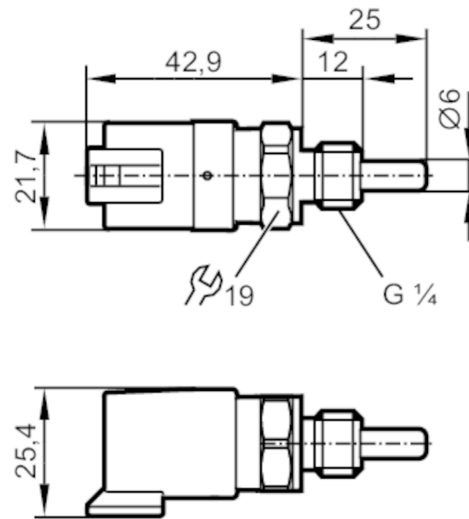


TM6101



Temperature sensor with process connection

TM-025KCBR14- /DE/



Product characteristics		
Measuring range	-40...150 °C	-40...302 °F
Process connection	threaded connection G 1/4	
Installation length EL [mm]	25	
Application		
Measuring element	1 x Pt 1000; (to DIN EN 60751, class A)	
Media	liquids and gases	
Pressure rating [bar]	400	
Electrical data		
Protection class	III	
Measuring/setting range		
Probe length L [mm]	12	
Measuring range	-40...150 °C	-40...302 °F
Accuracy / deviations		
Accuracy [K]	± (0,15 K + 0,002 x t)	
Reaction times		
Dynamic response T05 / T09 [s]	1 / 3; (according to DIN EN 60751)	
Operating conditions		
Ambient temperature [°C]	-25...80	
Storage temperature [°C]	-40...100	
Protection	IP 68; IP 69K	
Tests / approvals		
Shock resistance	DIN EN 60068-2-27	50 g (11 ms)
Vibration resistance	DIN EN 60068-2-6	20 g (10...2000 Hz)
MTTF [years]	22831	
UL approval	UL approval number	K017

TM6101



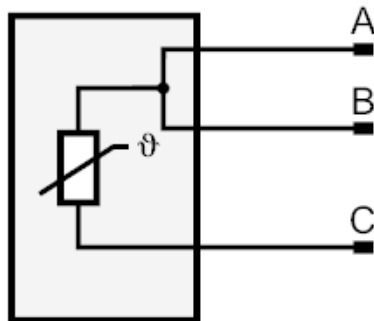
Temperature sensor with process connection

TM-025KCBR14- /DE/

Mechanical data	
Weight [g]	82
Material	stainless steel (1.4404 / 316L); PPS; FKM
Materials (wetted parts)	stainless steel (1.4404 / 316L); Gasket: FKM
Process connection	threaded connection G 1/4
Probe diameter [mm]	6
Installation length EL [mm]	25
Accessories	
Items supplied	Gasket
Remarks	
Remarks	cULus - Class 2 source required The values for accuracy apply to flowing water.
Pack quantity	1 pcs.

Electrical connection

Connection



Connector: 1 x DEUTSCH connector (DT04-3P)