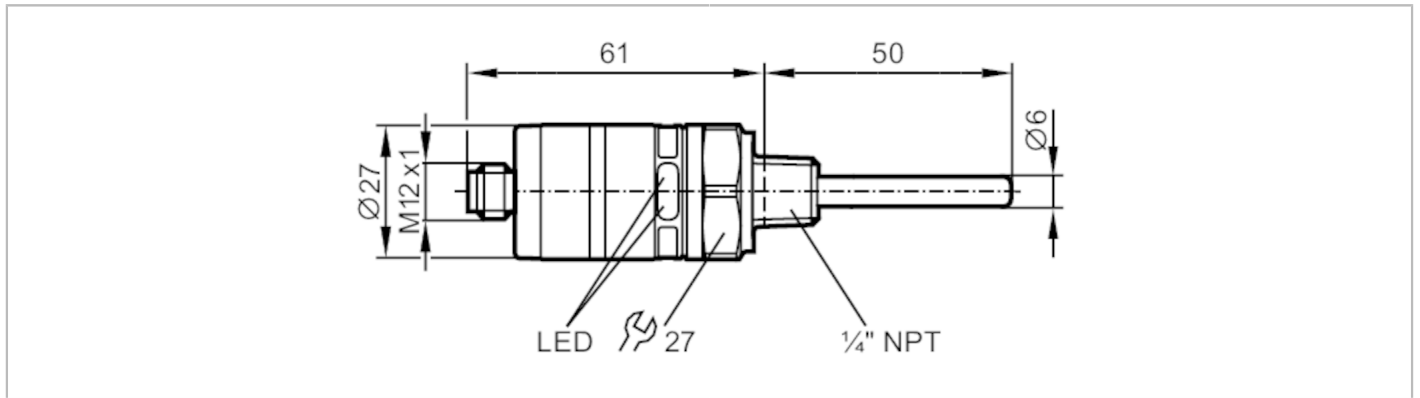


TK6310



Temperature switch with intuitive switch point setting

TK-050CLFN14-QKPKG / US



Product characteristics	
Number of inputs and outputs	Number of digital outputs: 2
Measuring range	-20...140 °C -4...284 °F
Process connection	threaded connection 1/4" NPT
Installation length EL [mm]	50
Application	
System	gold-plated contacts
Measuring element	1 x Pt 1000; (to DIN EN 60751, class A)
Media	liquids and gases
Medium temperature [°C]	-40...145
Pressure rating [bar]	400
Electrical data	
Operating voltage [V]	9.6...32 DC; (cULus - Class 2 source required)
Current consumption [mA]	< 30
Protection class	III
Reverse polarity protection	yes
Power-on delay time [s]	0.5
Inputs / outputs	
Number of inputs and outputs	Number of digital outputs: 2

TK6310



Temperature switch with intuitive switch point setting

TK-050CLFN14-QKPKG / US

Outputs		
Total number of outputs		2
Output signal		switching signal
Electrical design		PNP
Number of digital outputs		2
Output function		complementary
Max. voltage drop switching output DC	[V]	2
Permanent current rating of switching output DC	[mA]	500
Short-circuit protection		yes
Type of short-circuit protection		yes (non-latching)
Overload protection		yes
Measuring/setting range		
Measuring range	-20...140 °C	-4...284 °F
Set point SP	-16...140 °C	3...284 °F
Reset point rP	-20...136 °C	-4...277 °F
Accuracy / deviations		
Temperature drift per 10 K	[K]	0.1 **)
Repeatability	[K]	± 0,1
Setting accuracy	[K]	± 3
Reaction times		
Dynamic response T05 / T09	[s]	1 / 3; (according to DIN EN 60751)
Software / programming		
Adjustment of the switch point		setting rings
Operating conditions		
Ambient temperature	[°C]	-40...80
Note on ambient temperature		at medium temperature: < 80 °C
		-40...50 °C
		at medium temperature: < 145 °C
Storage temperature	[°C]	-40...100
Protection		IP 67
Tests / approvals		
EMC	DIN EN 61000-4-2 ESD	4 kV CD / 8 kV AD
	EN 61000-4-3 HF radiated	10 V/m
	DIN EN 61000-4-4 Burst	2 kV
	EN 61000-4-6 HF conducted	10 V
Shock resistance	DIN IEC 68-2-27	50 g (11 ms)
Vibration resistance	DIN EN 60068-2-6	20 g (10...2000 Hz)
MTTF	[years]	643.1
UL approval	UL approval number	K018

TK6310



Temperature switch with intuitive switch point setting

TK-050CLFN14-QKPKG / US

Mechanical data	
Weight [g]	100.5
Material	stainless steel (1.4404 / 316L); PC; PBT; FKM
Materials (wetted parts)	stainless steel (1.4404 / 316L); FKM
Process connection	threaded connection 1/4" NPT
Probe diameter [mm]	6
Installation length EL [mm]	50

Displays / operating elements		
Display	Power	LED, green
	Switching status	LED, yellow

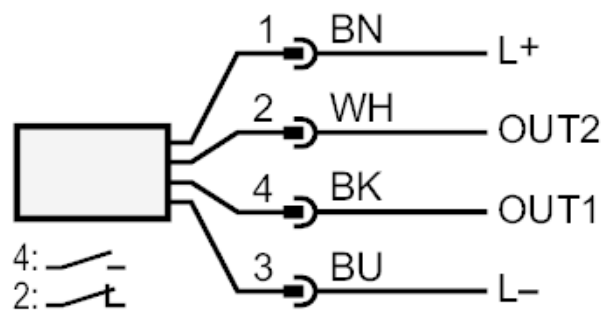
Remarks	
Remarks	***) In case of deviation from the reference condition 25 °C The values for accuracy apply to flowing water.
Pack quantity	1 pcs.

Electrical connection

Connector: 1 x M12; coding: A; Contacts: gold-plated



Connection



Colors to DIN EN 60947-5-2

Core colors :

- BK = black
- BN = brown
- BU = blue
- WH = white