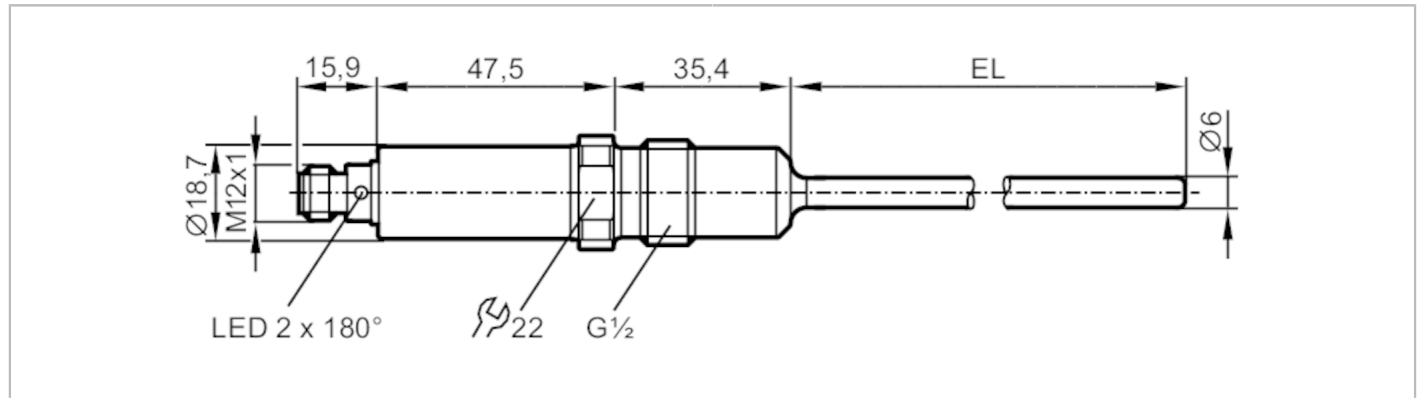


# TA2511



## Temperature transmitter

TA-050CLER12- - /US



EC 1935/2004 EHEDG Certified FCM FDA IO-Link

Product characteristics	
Number of inputs and outputs	Number of analog outputs: 1
Measuring range [°C]	-50...200
Process connection	threaded connection G 1/2 sealing cone
Installation length EL [mm]	50
Application	
Measuring element	1 x Pt 1000; (to DIN EN 60751, class A)
Media	liquids and gases
Pressure rating [bar]	160
Vacuum resistance [mbar]	-1000
MAWP (for applications according to CRN) [bar]	160
Electrical data	
Operating voltage [V]	18...32 DC; (cULus - Class 2 source required)
Current consumption [mA]	< 50
Protection class	III
Reverse polarity protection	yes
Power-on delay time [s]	2
Inputs / outputs	
Number of inputs and outputs	Number of analog outputs: 1
Outputs	
Total number of outputs	1
Output signal	analog signal; IO-Link; (configurable)
Number of analog outputs	1
Analog current output [mA]	4...20
Max. load [Ω]	250; ((18...19 V); 19...32 V: 300 Ω)
Short-circuit protection	yes
Overload protection	yes
Measuring/setting range	
Measuring range [°C]	-50...200
Factory setting	-10...150 °C

# TA2511



## Temperature transmitter

TA-050CLER12- - /US

Resolution		
Resolution of analog output	[K]	0.04
Accuracy / deviations		
Precision analog output	[K]	$\pm 0,3 + (\pm 0,1 \% \text{ MS})$
Temperature coefficient	[% of the span / 10 K]	0,1; (In case of deviation from the reference condition $25 \pm 5 \text{ }^\circ\text{C}$ )
Reaction times		
Dynamic response T05 / T09	[s]	< 0,5 / < 2
Interfaces		
Communication interface		IO-Link
Transmission type		COM2 (38,4 kBaud)
IO-Link revision		1.1
Operating conditions		
Ambient temperature	[ $^\circ\text{C}$ ]	-25...80
Note on ambient temperature		at medium temperature: < 160 $^\circ\text{C}$
		-25...60 $^\circ\text{C}$
		at medium temperature: < 200 $^\circ\text{C}$
Storage temperature	[ $^\circ\text{C}$ ]	-40...100
Protection		IP 67; IP 68; IP 69K
Tests / approvals		
EMC		DIN EN 61000-6-2
		DIN EN 61000-6-3
Shock resistance		DIN IEC 68-2-27
Vibration resistance		DIN IEC 68-2-6
MTTF	[years]	334
Note on approval		Factory certificate available as download at <a href="http://www.factory-certificate.ifm">www.factory-certificate.ifm</a>
UL approval		UL approval number
		K002
Mechanical data		
Weight	[g]	181.5
Dimensions	[mm]	$\varnothing 18.7$
Material		stainless steel (1.4404 / 316L); PEI; FKM
Materials (wetted parts)		stainless steel (1.4404 / 316L) electropolished
Tightening torque	[Nm]	30...50
Process connection		threaded connection G 1/2 sealing cone
Surface characteristics Ra/Rz of the wetted parts		Ra: < 0.8
Probe diameter	[mm]	6
Installation length EL	[mm]	50
Remarks		
Remarks		MS = set measuring span The values for accuracy apply to flowing water.
Pack quantity		1 pcs.
Electrical connection		
Connector: 1 x M12; coding: A		

# TA2511



## Temperature transmitter

TA-050CLER12- - /US



### Connection

