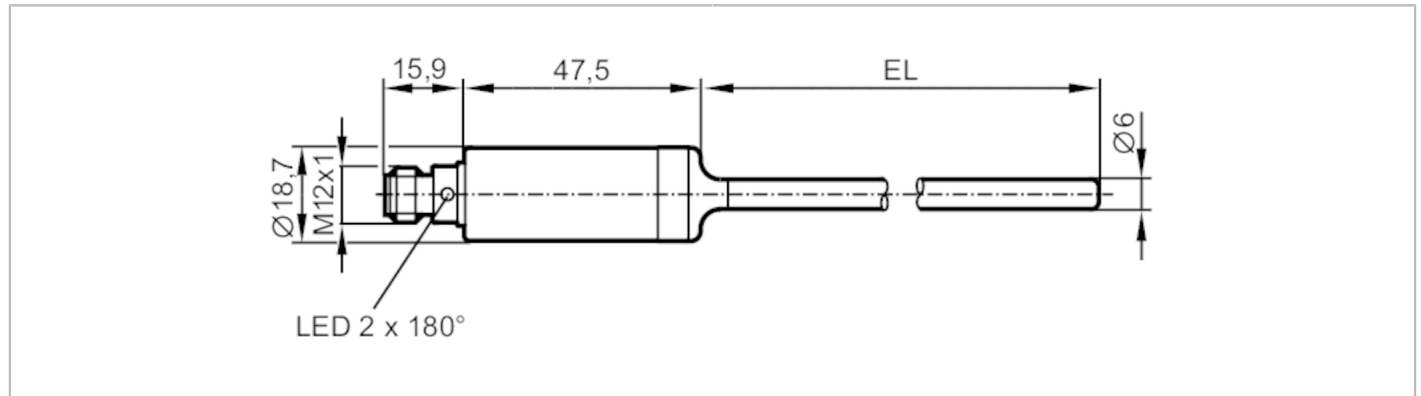


# TA2292



## Temperature transmitter

TA-350CLE06-- /US



### Product characteristics

|                              |                             |
|------------------------------|-----------------------------|
| Number of inputs and outputs | Number of analog outputs: 1 |
| Measuring range [°C]         | -50...200                   |
| Process connection           | Diameter Ø 6 mm             |
| Installation length EL [mm]  | 350                         |

### Application

|                          |   |
|--------------------------|---|
| Measuring element        | 1 x Pt 1000; (to DIN EN 60751, class A) |
| Media                    | liquids and gases                       |
| Pressure rating [bar]    | 160                                     |
| Vacuum resistance [mbar] | -1000                                   |

### Electrical data

|                             |   |
|-----------------------------|---|
| Operating voltage [V]       | 18...32 DC; (cULus - Class 2 source required) |
| Current consumption [mA]    | < 50  |
| Protection class            | III   |
| Reverse polarity protection | yes   |
| Power-on delay time [s]     | 2   |

### Inputs / outputs

|                              |                             |
|------------------------------|-----------------------------|
| Number of inputs and outputs | Number of analog outputs: 1 |
|------------------------------|-----------------------------|

### Outputs

|                            |  |
|----------------------------|--|
| Total number of outputs    | 1                                      |
| Output signal              | analog signal; IO-Link; (configurable) |
| Number of analog outputs   | 1                                      |
| Analog current output [mA] | 4...20                                 |
| Max. load [Ω]              | 250; ((18...19 V); 19...32 V: 300 Ω)   |
| Short-circuit protection   | yes                                    |
| Overload protection        | yes                                    |

### Measuring/setting range

|                      |            |
|----------------------|------------|
| Measuring range [°C] | -50...200  |
| Factory setting      | 0...200 °C |

### Resolution

|                                 |      |
|---------------------------------|------|
| Resolution of analog output [K] | 0.04 |
|---------------------------------|------|

# TA2292



## Temperature transmitter

TA-350CLE06-- /US

| Accuracy / deviations                             |   |   |
|---|---|---|
| Precision analog output [K]                       |   | $\pm 0,3 + (\pm 0,1 \% \text{ MS})$   |
| Temperature coefficient [% of the span / 10 K]    |   | 0,1; (In case of deviation from the reference condition $25 \pm 5 \text{ }^\circ\text{C}$ )                                   |
| Reaction times                                    |   |   |
| Dynamic response T05 / T09 [s]                    |   | $< 0,5 / < 2$   |
| Interfaces  |   |   |
| Communication interface                           |   | IO-Link   |
| Transmission type                                 |   | COM2 (38,4 kBaud)   |
| IO-Link revision                                  |   | 1.1   |
| Operating conditions                              |   |   |
| Ambient temperature [°C]                          |   | -25...80  |
| Note on ambient temperature                       |   | at medium temperature: $< 160 \text{ }^\circ\text{C}$<br>-25...60 °C<br>at medium temperature: $< 200 \text{ }^\circ\text{C}$ |
| Storage temperature [°C]                          |   | -40...100   |
| Protection  |   | IP 67; IP 68; IP 69K  |
| Tests / approvals                                 |   |   |
| EMC   | DIN EN 61000-6-2<br>DIN EN 61000-6-3  |   |
| Shock resistance                                  | DIN IEC 68-2-27   | 50 g (11 ms)  |
| Vibration resistance                              | DIN IEC 68-2-6  | 10 g (10...2000 Hz)   |
| MTTF [years]                                      |   | 334   |
| Note on approval                                  | Factory certificate available as download at <a href="http://www.factory-certificate.ifm">www.factory-certificate.ifm</a> |   |
| UL approval                                       | UL approval number  | K002  |
| Mechanical data                                   |   |   |
| Weight [g]  |   | 213.7   |
| Dimensions [mm]                                   |   | $\varnothing 18.7$  |
| Material  |   | stainless steel (1.4404 / 316L); PEI; FKM   |
| Materials (wetted parts)                          |   | stainless steel (1.4404 / 316L)   |
| Process connection                                |   | Diameter $\varnothing 6 \text{ mm}$   |
| Surface characteristics Ra/Rz of the wetted parts |   | Ra: $< 0.6$   |
| Probe diameter [mm]                               |   | 6   |
| Installation length EL [mm]                       |   | 350   |
| Remarks   |   |   |
| Remarks   |   | MS = set measuring span   |
| Pack quantity                                     |   | 1 pcs.  |
| Electrical connection                             |   |   |
| Connector: 1 x M12; coding: A                     |   |   |

# TA2292



## Temperature transmitter

TA-350CLE06-- /US



### Connection

