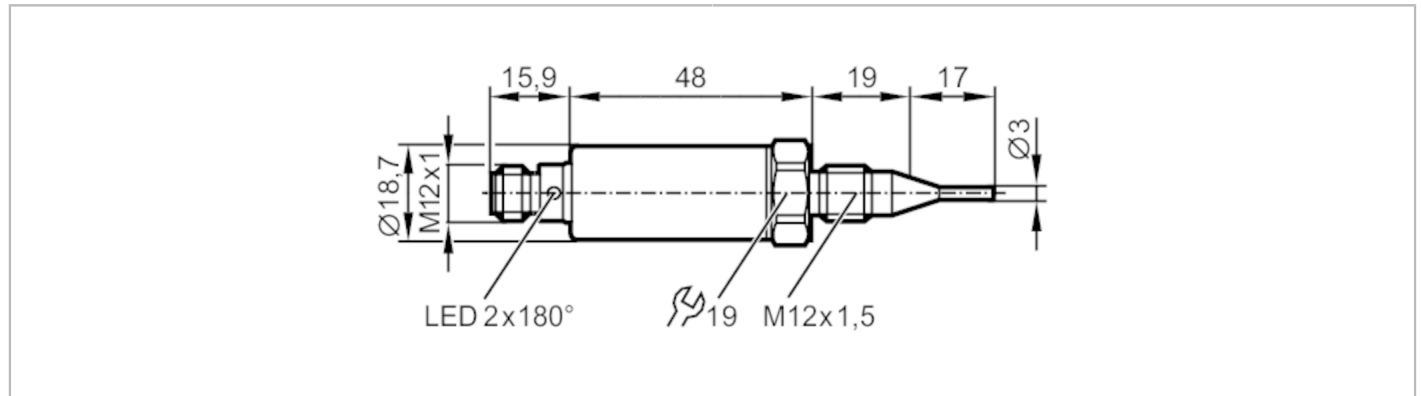


TA1102



Temperature transmitter

TA-017C2EM12- A-ZVG/US



EC 1935/2004 EHEDG Certified



Product characteristics

Number of inputs and outputs	Number of analog outputs: 1
Measuring range [°C]	-50...200
Process connection	threaded connection M12 x 1,5 sealing cone
Installation length EL [mm]	17

Application

Measuring element	1 x Pt 1000; (to DIN EN 60751, class A)
Media	liquids and gases
Pressure rating [bar]	100
Vacuum resistance [mbar]	-1000

Electrical data

Operating voltage [V]	18...32 DC; (cULus - Class 2 source required)
Current consumption [mA]	< 50
Protection class	III
Reverse polarity protection	yes
Power-on delay time [s]	2

Inputs / outputs

Number of inputs and outputs	Number of analog outputs: 1
------------------------------	-----------------------------

Outputs

Total number of outputs	1
Output signal	analog signal; IO-Link; (configurable)
Number of analog outputs	1
Analog current output [mA]	4...20
Max. load [Ω]	250; ((18...19 V); 19...32 V: 300 Ω)
Short-circuit protection	yes
Overload protection	yes

Measuring/setting range

Measuring range [°C]	-50...200
Factory setting	0...200 °C

Resolution

Resolution of analog output [K]	0.04
---------------------------------	------

TA1102



Temperature transmitter

TA-017C2EM12- A-ZVG/US

Accuracy / deviations		
Precision analog output [K]		$\pm 0,3 + (\pm 0,1 \% MS)$
Temperature coefficient [% of the span / 10 K]		0,1; (In case of deviation from the reference condition $25 \pm 5 \text{ }^\circ\text{C}$)
Reaction times		
Dynamic response T05 / T09 [s]		$< 0,25 / < 1$
Interfaces		
Communication interface		IO-Link
Transmission type		COM2 (38,4 kBaud)
IO-Link revision		1.1
Operating conditions		
Ambient temperature [$^\circ\text{C}$]		-25...80
Note on ambient temperature		at medium temperature: $< 160 \text{ }^\circ\text{C}$ -25...60 $^\circ\text{C}$ at medium temperature: $< 200 \text{ }^\circ\text{C}$
Storage temperature [$^\circ\text{C}$]		-40...100
Protection		IP 67; IP 68; IP 69K
Tests / approvals		
EMC	DIN EN 61000-6-2 DIN EN 61000-6-3	
Shock resistance	DIN IEC 68-2-27	50 g (11 ms)
Vibration resistance	DIN IEC 68-2-6	10 g (10...2000 Hz)
MTTF [years]		334
Note on approval		Factory certificate available as download at www.factory-certificate.ifm
UL approval	UL approval number	K002
Mechanical data		
Weight [g]		111.5
Material		stainless steel (1.4404 / 316L); PEI; FKM
Materials (wetted parts)		stainless steel (1.4404 / 316L) electropolished
Tightening torque [Nm]		20
Process connection		threaded connection M12 x 1,5 sealing cone
Surface characteristics Ra/Rz of the wetted parts		Ra: < 0.8
Probe diameter [mm]		3
Installation length EL [mm]		17
Remarks		
Remarks		MS = set measuring span The values for accuracy apply to flowing water.
Pack quantity		1 pcs.
Electrical connection		
Connector: 1 x M12; coding: A		

TA1102



Temperature transmitter

TA-017C2EM12- A-ZVG/US



Connection

