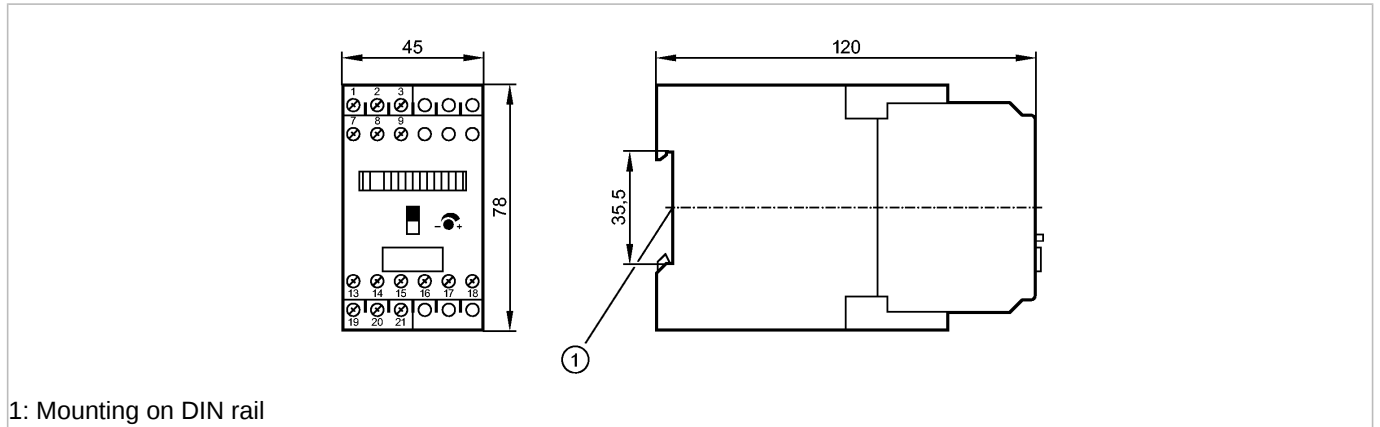


SR2301

VS2000/ 24VDC/EXI/1G

Evaluation systems



1: Mounting on DIN rail



Product characteristics

Control monitor for flow sensors
Housing for DIN rail mounting
Connection: 1 sensor (SF...A)
ATEX approval
Group II, category (1) G

Application

Application	flow monitoring and wire breaking monitoring
-------------	--

Electrical data

Electrical design	DC
Operating voltage [V]	24 DC
Voltage tolerance [%]	± 10
Current consumption [mA]	125
Reverse polarity protection	no

Outputs

Output function	Relay
Switching function	
- Flow monitoring	relay energised when flow is present
- Wire break monitoring	relay de-energised in case of wire break
Contact rating	4 A (250 V AC cos phi > 0.7) ; 0.2 A (250 V DC); 4 A (24 V DC)
Short-circuit proof	no
Overload protection	no

Reaction times

Power-on delay time [s]	30
-------------------------	----

Software / programming

Adjustment of the switch point	potentiometer
Selection liquids / gases	with slide switch

Environment

Ambient temperature [°C]	-20...60
Protection housing / terminals	IP 40 / IP 20

Tests / approvals

Approval	PTB 01 ATEX 2075 IECEX PTB 07.0004
----------	---------------------------------------

SR2301

VS2000/ 24VDC/EXI/1G

Evaluation systems

Marking of the unit Ⓔ II (1) G [Ex ia Ga] IIC

MTTF [Years] 231

Safety classification

Maximum values for control circuit

Description	in protection rating intrinsic safety [Ex ia] IIC, [Ex ia] IIB, [Ex ib] IIC, [Ex ib] IIB			
Voltage [V]	U ₀ = 15.8			
Current [mA]	I ₀ = 84 / I _e = 38.5			
Power [mW]	P ₀ = 680			

	in protection rating intrinsic safety			
	[Ex ia] IIC	[Ex ia] IIB	[Ex ib] IIC	[Ex ib] IIB
External inductance	1 mH	1mH / 5 mH	1 mH	1mH / 5 mH
External capacitance	205 nF	1.7 µF / 935 nF	205 nF	1.7 µF / 935 nF

Mechanical data

Housing materials	plastics
Weight [kg]	0.388

Displays / operating elements

Function display	11 LED
Output status indication LED	red

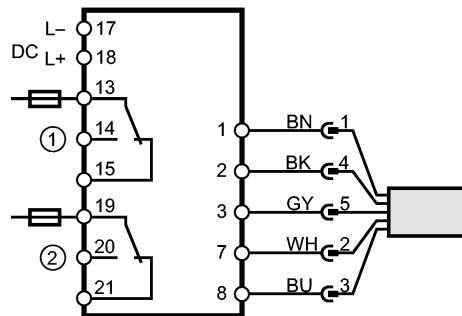
Electrical connection

Connection 15 terminals...2.5 mm²

Wiring

Core colors

BN	brown
BU	blue
BK	black
WH	white
GY	grey



1 Flow monitoring
2 Wire break monitoring
Note: miniature fuse to IEC60127-2 sheet 1,
≤ 5 A (fast acting)
Place the fuse outside the hazardous area.

Remarks

Remarks Please note: The control monitor must be mounted outside the hazardous area!
Recommendation: check the unit for reliable function after a short circuit.

Pack quantity [piece] 1