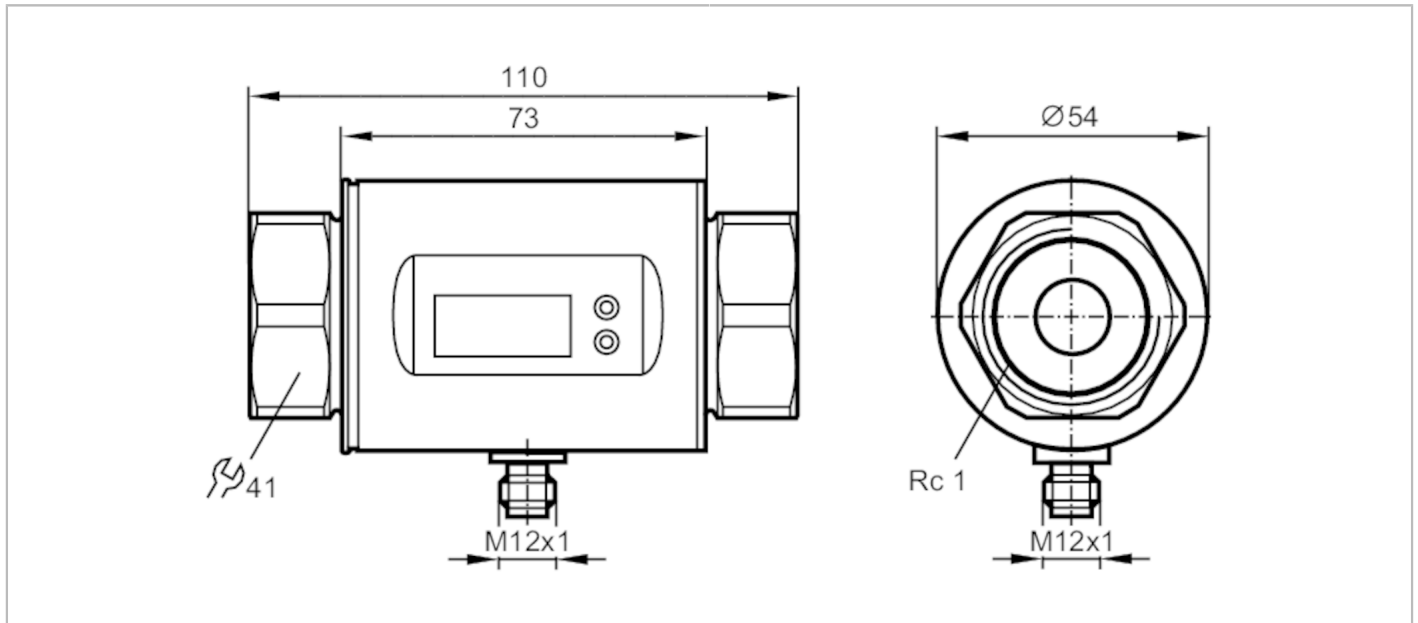


SM8404



Magnetic-inductive flow meter

SMK11GGX50KG/US-100



Product characteristics

Number of inputs and outputs	Number of analog outputs: 2	
Measuring range	0.2...100 l/min	0.1...26.4 gpm
Process connection	threaded connection Rc 1 Internal thread DN25	

Application

System	gold-plated contacts	
Application	for industrial applications	
Media	Conductive liquids; water; water-based media	
Note on media	conductivity: $\geq 20 \mu\text{S/cm}$ viscosity: $< 70 \text{ mm}^2/\text{s}$ (40 °C)	
Medium temperature [°C]	-10...70	
Pressure rating [bar]	16	
Pressure rating [Mpa]	1.6	

Electrical data

Operating voltage [V]	20...30 DC; (to SELV/PELV)	
Current consumption [mA]	120; (24 V)	
Protection class	III	
Reverse polarity protection	yes	
Power-on delay time [s]	5	

Inputs / outputs

Number of inputs and outputs	Number of analog outputs: 2	
------------------------------	-----------------------------	--

SM8404



Magnetic-inductive flow meter

SMK11GGX50KG/US-100

Outputs		
Total number of outputs		2
Output signal		analog signal
Number of analog outputs		2
Analog current output	[mA]	4...20; (scalable)
Max. load	[Ω]	500
Overload protection		yes
Measuring/setting range		
Measuring range	0.2...100 l/min	0.1...26.4 gpm
Display range	-120...120 l/min	-31.7...31.7 gpm
Resolution	0.1 l/min	0.05 gpm
Analog start point ASP	0...80 l/min	0...21.1 gpm
Analog end point AEP	20...100 l/min	5.3...26.4 gpm
In steps of	0.1 l/min	0.05 gpm
Temperature monitoring		
Measuring range	[°C]	-20...80
Resolution	[°C]	0.2
Analog start point	[°C]	-20...60
Analog end point	[°C]	0...80
In steps of	[°C]	0.2
Accuracy / deviations		
Flow monitoring		
Accuracy (in the measuring range)		± (2 % MW + 0,5 % MEW)
Repeatability		± 0,2 % MEW
Temperature monitoring		
Accuracy	[K]	± 2,5 (Q > 1 l/min)
Reaction times		
Flow monitoring		
Response time	[s]	0.15; (dAP = 0, T19)
Damping process value dAP	[s]	0...3
Temperature monitoring		
Dynamic response T05 / T09	[s]	T09 = 20 (Q > 1 l/min)
Operating conditions		
Ambient temperature	[°C]	-10...60
Storage temperature	[°C]	-25...80
Protection		IP 67

SM8404



Magnetic-inductive flow meter

SMK11GGX50KG/US-100

Tests / approvals		
EMC	DIN EN 60947-5-9	500 V withstand voltage (V DC)
	model number	009MI
	accuracy class	-
CPA approval	maximum allowable error	± 2,5 % FS
	Q (min)	0,01 m³/h
	Q (t)	-
	Q (max)	6 m³/h
Shock resistance	DIN IEC 68-2-27	20 g (11 ms)
Vibration resistance	DIN IEC 68-2-6	5 g (10...2000 Hz)
MTTF [years]		175
UL approval	UL approval number	I011
Pressure equipment directive	sound engineering practice; can be used for group 2 fluids; group 1 fluids on request	

Mechanical data		
Weight [g]		646
Material	stainless steel (1.4404 / 316L); PBT-GF20; PC; FKM; TPE	
Materials (wetted parts)	stainless steel (1.4404 / 316L); PEEK; FKM	
Process connection	threaded connection Rc 1 Internal thread DN25	

Displays / operating elements		
Display	Display unit	6 x LED, green (l/min, m³/h, gpm, gph, °C, °F)
	Measured values	alphanumeric display, 4-digit
	Programming	alphanumeric display, 4-digit

Remarks		
Remarks	MW = Measured value	
	MEW = Final value of the measuring range	
Pack quantity	1 pcs.	

Electrical connection

Connector: 1 x M12; coding: A; Contacts: gold-plated



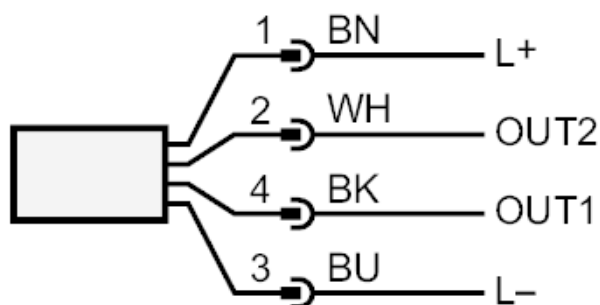
SM8404



Magnetic-inductive flow meter

SMK11GGX50KG/US-100

Connection



Colors to DIN EN 60947-5-2

OUT1: analog output Temperature monitoring

OUT2: analog output Volumetric flow quantity monitoring

Core colors :

BK = black

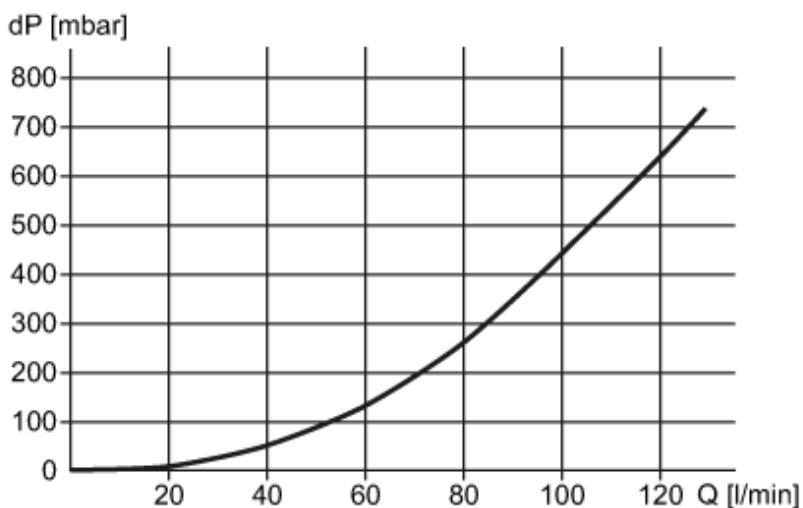
BN = brown

BU = blue

WH = white

Diagrams and graphs

Pressure loss



dP Pressure loss

Q volumetric flow quantity