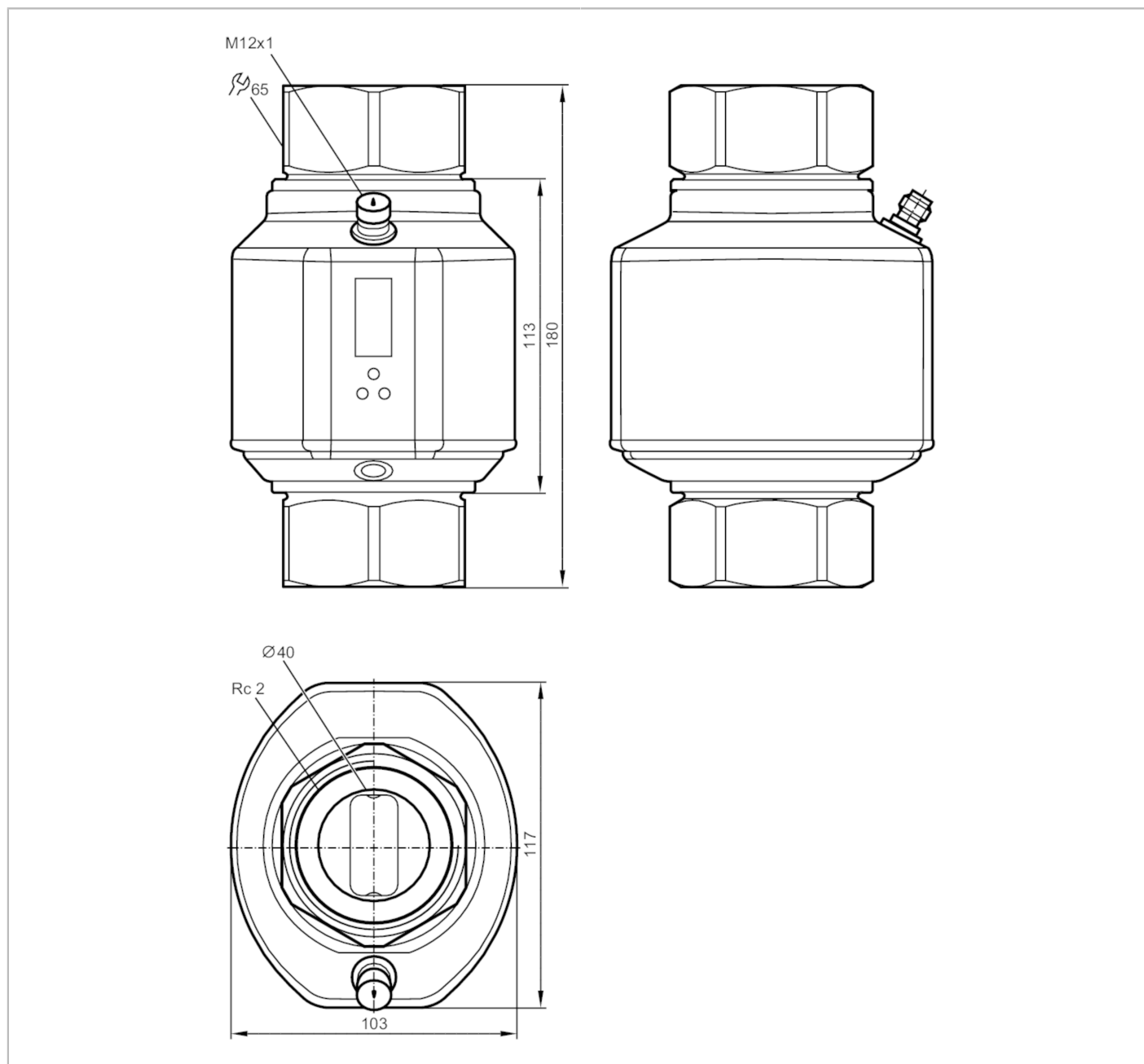


SM2500



Magnetic-inductive flow meter

SMK21XGXFRKG/US-100



Product characteristics

Number of inputs and outputs	Number of digital outputs: 2; Number of analog outputs: 1	
Measuring range	5...600 l/min	0.3...36 m ³ /h
Process connection	threaded connection Rc 2 Internal thread DN50	

SM2500



Magnetic-inductive flow meter

SMK21XGXFRKG/US-100

Application	
System	gold-plated contacts
Application	Totalizer function; empty pipe detection; for industrial applications
Media	Conductive liquids; water; water-based media
Note on media	conductivity: $\geq 20 \mu\text{S/cm}$ viscosity: $< 70 \text{ mm}^2/\text{s}$ (40 °C)
Medium temperature [°C]	-10...70
Pressure rating [bar]	16
Pressure rating [Mpa]	1.6
Electrical data	
Operating voltage [V]	18...32 DC; (to SELV/PELV)
Current consumption [mA]	< 150
Protection class	III
Reverse polarity protection	yes
Power-on delay time [s]	5
Inputs / outputs	
Number of inputs and outputs	Number of digital outputs: 2; Number of analog outputs: 1
Inputs	
Inputs	counter reset
Outputs	
Total number of outputs	2
Output signal	switching signal; analog signal; pulse signal; frequency signal; IO-Link; (configurable)
Electrical design	PNP/NPN
Number of digital outputs	2
Output function	normally open / closed; (configurable)
Max. voltage drop switching output DC [V]	2
Permanent current rating of switching output DC [mA]	250; (per output)
Number of analog outputs	1
Analog current output [mA]	4...20; (scalable)
Max. load [Ω]	500
Analog voltage output [V]	0...10; (scalable)
Min. load resistance [Ω]	2000
Pulse output	flow rate meter
Short-circuit protection	yes
Type of short-circuit protection	yes (non-latching)
Overload protection	yes
Frequency of the output [Hz]	0.1...10000

SM2500



Magnetic-inductive flow meter

SMK21XGXFRKG/US-100

Measuring/setting range		
Measuring range	5...600 l/min	0.3...36 m³/h
Display range	-720...720 l/min	-43.2...43.2 m³/h
Resolution	0.5 l/min	0.02 m³/h
Set point SP	8...600 l/min	0.5...36 m³/h
Reset point rP	5...597 l/min	0.3...35.8 m³/h
Analog start point ASP	0...480 l/min	0...28.8 m³/h
Analog end point AEP	120...600 l/min	7.2...36 m³/h
Low flow cut-off LFC	< 15 l/min	< 0.9 m³/h
In steps of	0.5 l/min	0.02 m³/h
Measuring dynamics	1:120	
Volumetric flow quantity monitoring		
Pulse value	0.0001...600 x 10³ m³	
In steps of	0.0001 m³	
Pulse length [s]	0,008...2	
Temperature monitoring		
Measuring range [°C]	-20...80	
Display range [°C]	-40...100	
Resolution [°C]	0.2	
Set point SP [°C]	-19.2...80	
Reset point rP [°C]	-19.6...79.6	
Analog start point [°C]	-20...60	
Analog end point [°C]	0...80	
In steps of [°C]	0.2	
Accuracy / deviations		
Flow monitoring		
Accuracy (in the measuring range)	± (0,8 % MW + 0,5 % MEW)	
Repeatability	± 0,2% MEW	
Temperature monitoring		
Temperature drift	± 0,0333 °C / K	
Accuracy [K]	± 1 (bei 25 °C, Q > 15 l/min)	
Reaction times		
Flow monitoring		
Response time [s]	0.35; (dAP = 0)	
Delay time programmable dS, dr [s]	0...50	
Damping process value dAP [s]	0...5	
Temperature monitoring		
Dynamic response T05 / T09 [s]	T09 = 3 (Q > 15 l/min)	
Software / programming		
Parameter setting options	Flow monitoring; quantity meter; Preset counter; Temperature monitoring; hysteresis / window; normally open / closed; switching logic; current/voltage/frequency/pulse output; Start-up delay; display can be deactivated; Display unit; empty pipe detection	

SM2500



Magnetic-inductive flow meter

SMK21XGXFRKG/US-100

Interfaces		
Communication interface	IO-Link	
Transmission type	COM2 (38,4 kBaud)	
IO-Link revision	1.1	
SDCI standard	IEC 61131-9 CDV	
Profiles	Smart Sensor: Process Data Variable; Device Identification	
SIO mode	yes	
Required master port class	A	
Process data analog	3	
Process data binary	2	
Min. process cycle time [ms]	5	
Supported DeviceIDs	Type of operation	DeviceID
	default	389

Operating conditions		
Ambient temperature [°C]	-10...60	
Storage temperature [°C]	-25...80	
Protection	IP 65; IP 67	

Tests / approvals		
EMC	DIN EN 60947-5-9	
	model number	004MI
CPA approval	accuracy class	-
	maximum allowable error	± 1,5 % FS
	Q (min)	0,3 m³/h
	Q (t)	-
	Q (max)	36 m³/h
Shock resistance	DIN EN 60068-2-27	20 g (11 ms)
Vibration resistance	DIN EN 60068-2-6	5 g (10...2000 Hz)
MTTF [years]	85	
UL approval	UL approval number	I008
Pressure equipment directive	sound engineering practice; can be used for group 2 fluids; group 1 fluids on request	

Mechanical data		
Weight [g]	2743.5	
Material	stainless steel (1.4404 / 316L); stainless steel (1.4571/316Ti); PEI; FKM; PBT-GF20; TPE-U	
Materials (wetted parts)	stainless steel (1.4404 / 316L); stainless steel (1.4571/316Ti); PEEK; EPDM	
Process connection	threaded connection Rc 2 Internal thread DN50	

Displays / operating elements		
Display	Display unit	6 x LED, green (l/min, m³/h, l, m³, 10³, °C)
	Switching status	2 x LED, yellow
	Measured values	alphanumeric display, 4-digit
	Programming	alphanumeric display, 4-digit

Accessories		
Items supplied	Label	

SM2500



Magnetic-inductive flow meter

SMK21XGXFRKG/US-100

Remarks	
Remarks	MW = Measured value
	MEW = Final value of the measuring range
Pack quantity	1 pcs.

Electrical connection

Connector: 1 x M12; coding: A; Contacts: gold-plated



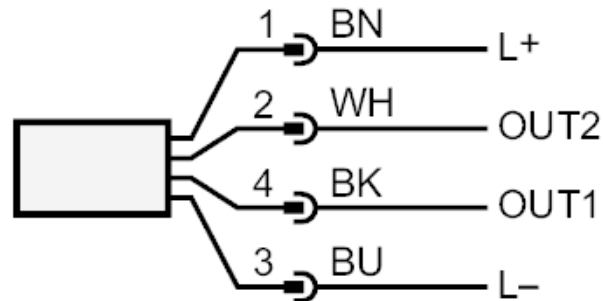
SM2500



Magnetic-inductive flow meter

SMK21XGXFRKG/US-100

Connection



Colors to DIN EN 60947-5-2

OUT1: Switching output empty pipe detection
Switching output Volumetric flow quantity monitoring
Frequency output Volumetric flow quantity monitoring
Pulse output quantity meter
signal output Preset counter
IO-Link

OUT2: Switching output empty pipe detection
Switching output Volumetric flow quantity monitoring
Switching output Temperature monitoring
analog output Volumetric flow quantity monitoring
analog output Temperature monitoring
Input counter reset

Core colors :

BK = black
BN = brown
BU = blue
WH = white

SM2500

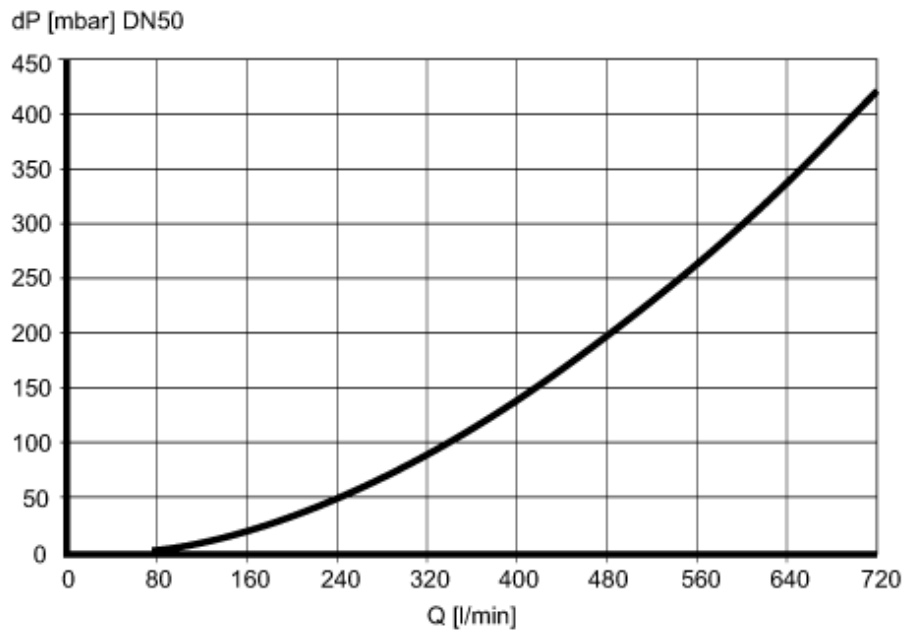


Magnetic-inductive flow meter

SMK21XGXFRKG/US-100

Diagrams and graphs

Pressure loss



dP Pressure loss

Q volumetric flow quantity