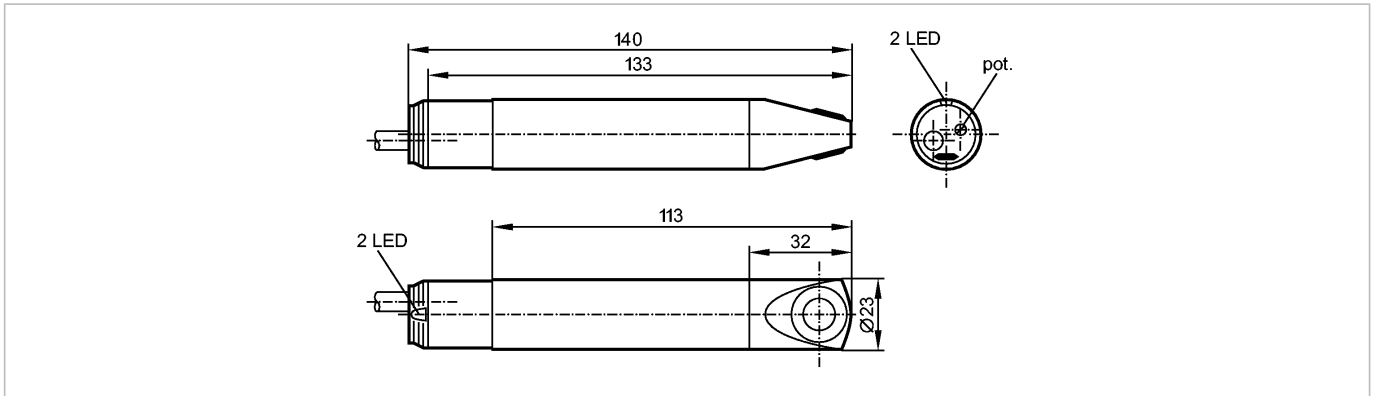


**SL5101**

SLG23CEEAKOG/24VDC

**Flow sensors**



**Product characteristics**

Airflow monitor

Cylindrical type

Process connection: Ø 23 mm

**Application**

Pressure rating [bar] 1

Medium temperature Gases [°C] -10...50

**Electrical data**

Electrical design DC

Operating voltage [V] 24 DC ± 25 %

Power consumption [VA] 1

Insulation resistance [MΩ] > 100 (500 V DC)

**Outputs**

Output function relay energised when flow is present

Contact rating 3 A (30 V DC / 250 V AC)

**Measuring / setting range**

Setting range [cm/s] 100...1000

Greatest sensitivity [cm/s] 100...400

**Accuracy / deviations**

Max. temperature gradient of medium [K/min] 5

**Reaction times**

Power-on delay time [s] 60

Response time [s] 3...60

**Software / programming**

Adjustment of the switch point potentiometer

**Environment**

Ambient temperature [°C] -10...50

Max. relative air humidity [%] 90

Protection IP 54

**Tests / approvals**

MTTF [Years] 1202

**Mechanical data**

Process connection Ø 23 mm

## SL5101

SLG23CEEAKOG/24VDC

Flow sensors

Materials (wetted parts)	PBT; titanium
Housing materials	housing: PBT; sensor surface: titanium
Weight [kg]	0.19

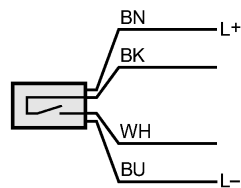
Displays / operating elements	
Function display	LED
	1 x red / 1 x green

Electrical connection	
Connection	PUR / PVC cable / 2 m; 4 x 0.5 mm <sup>2</sup>

### Wiring

Core colors

BN	brown
BU	blue
BK	black
WH	white



Accessories	
Accessories (included)	Mounting clamp (E40048); screwdriver

Remarks	
Pack quantity [piece]	1