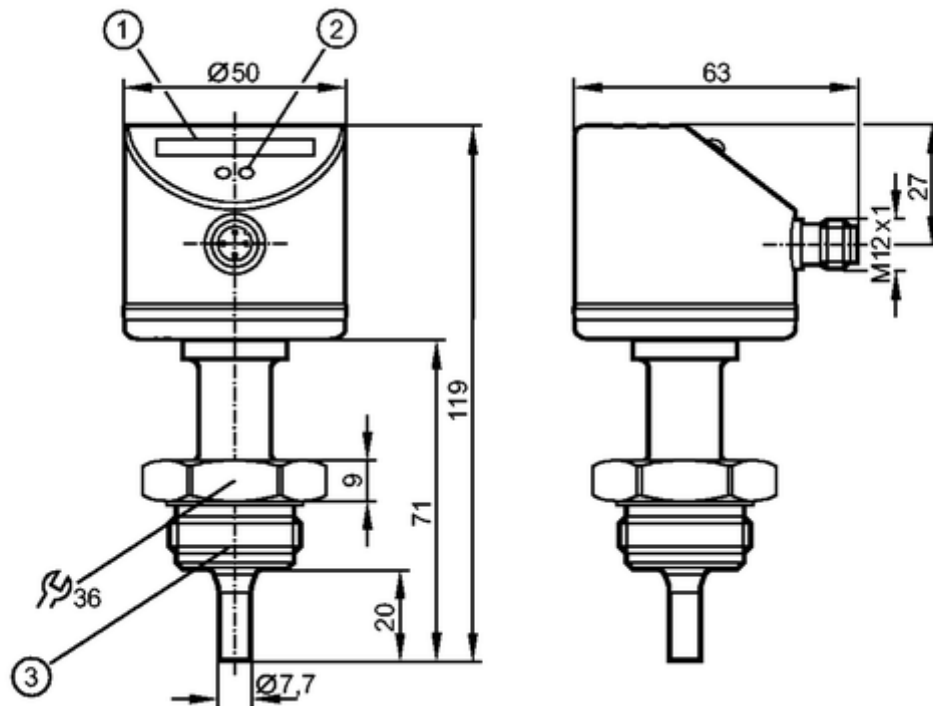


efector300**SI6100**

SIS30ABBPKG/US-100-IPF

Flow sensors



- 1: LED display
 2: setting pushbutton
 3: Aseptoflex thread

**Product characteristics**

Flow monitor
 Process connection: for Aseptoflex adapter
 Probe length: 20 mm
 Setting range: 3...300 cm/s (liquids)

Application

Application	hygienic systems
Pressure rating [bar]	30
Medium temperature [°C]	-25...95 ***)

Electrical data

Electrical design	DC PNP
Operating voltage [V]	19...36 DC
Current consumption [mA]	< 60
Protection class	III
Reverse polarity protection	yes

Outputs

Output function	normally open / closed programmable
Current rating [mA]	250
Voltage drop [V]	< 2.5
Short-circuit protection	yes (non-latching)

Overload protection	yes
---------------------	-----

Measuring / setting range

Liquids

Setting range [cm/s]	3...300
Greatest sensitivity [cm/s]	3...100

Gases

Setting range [cm/s]	200...3000
Greatest sensitivity [cm/s]	200...800

Accuracy / deviations

Switch point accuracy [cm/s]	$\pm 2... \pm 10$ *)
Hysteresis [cm/s]	2...5 *)
Repeatability [cm/s]	1...5 *)
Temperature drift [cm/s x 1/K]	0.1 **)
Max. temperature gradient of medium [K/min]	150

Reaction times

Power-on delay time [s]	10
Response time [s]	1...10

Software / programming

Adjustment of the switch point	pushbuttons
--------------------------------	-------------

Environment

Ambient temperature [°C]	-25...60
Protection	IP 67 / IP 69K

Tests / approvals

EMC	EN 61000-4-2 ESD:	4 kV CD / 8 kV AD
	EN 61000-4-3 HF radiated:	10 V/m
	EN 61000-4-4 Burst:	2 kV
	EN 61000-4-6 HF conducted:	10 V
Shock resistance	DIN IEC 68-2-27:	50 g (11 ms)
Vibration resistance	DIN EN 60068-2-6	10 g (55...2000 Hz)
MTTF [Years]		298

Mechanical data

Process connection	for Aseptoflex adapter	
Materials (wetted parts)	stainless steel 316L / 1.4404; surface characteristics: Ra < 0.4 / Rz 4	
Housing materials	stainless steel 316L / 1.4404; PC (polycarbonate); PBT-GF 20; EPDM/X; O-ring: FKM	
Probe length L [mm]	20	
Installation length EL [mm]	34.5	
Weight [kg]	0.385	

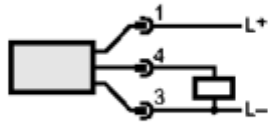
Displays / operating elements

Function display LED	10 LEDs, three-colour
----------------------	-----------------------

Electrical connection

Connection	M12 connector; gold-plated contacts
------------	-------------------------------------

Wiring



Remarks

Remarks

- *) for water; 5...100 cm/s; 25°C (factory setting)
- **) for water; 5...100 cm/s; 10...70°C
- ***) ...140°C for SIP process

Pack quantity [piece]

1

ifm efector, inc. • 1100 Atwater Drive • Malvern • PA 19355 — We reserve the right to make technical alterations without prior notice. — US — SI6100 — 17.12.2010