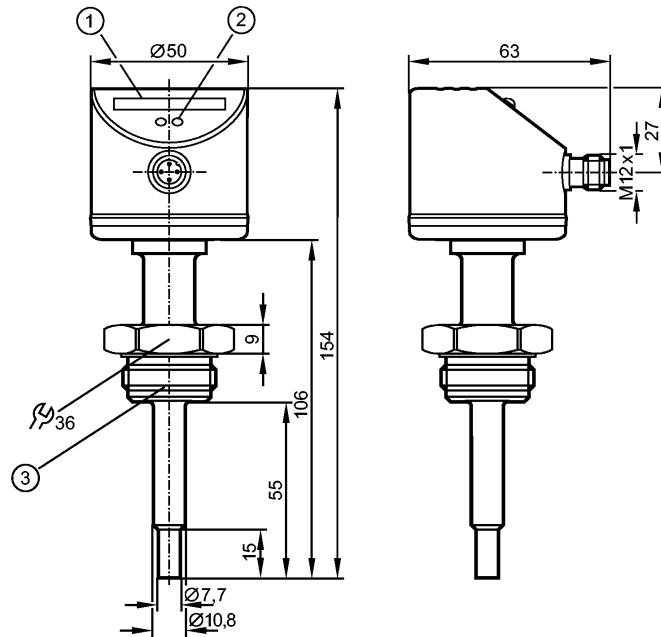


**SI6000**

SIS30ABBPKG/US-100-IPF

Flow sensors



- 1: LED display
- 2: setting pushbutton
- 3: Aseptoflex thread



**Product characteristics**

Flow monitor	
Process connection: for Aseptoflex adapter	
Probe length: 55 mm	
Setting range: 3...300 cm/s (liquids)	

**Application**

Application	hygienic systems
Pressure rating [bar]	30
Medium temperature Liquids [°C]	-25...95 (***)
Medium temperature Gases [°C]	-25...95 (***)

**Electrical data**

Electrical design	DC PNP
Operating voltage [V]	19...36 DC
Current consumption [mA]	< 60
Protection class	III
Reverse polarity protection	yes

**Outputs**

Output function	normally open / closed programmable
Current rating [mA]	250
Voltage drop [V]	< 2.5
Short-circuit protection	yes (non-latching)
Overload protection	yes

**Measuring / setting range**

Liquids	
Setting range [cm/s]	3...300

## SI6000

SIS30ABBFPKG/US-100-IPF

Flow sensors

Greatest sensitivity	[cm/s]	3...100
----------------------	--------	---------

Gases

Setting range	[cm/s]	200...3000
---------------	--------	------------

Greatest sensitivity	[cm/s]	200...800
----------------------	--------	-----------

### Accuracy / deviations

Switch point accuracy	[cm/s]	± 2...± 10 *)
-----------------------	--------	---------------

Hysteresis	[cm/s]	2...5 *)
------------	--------	----------

Repeatability	[cm/s]	1...5 *)
---------------	--------	----------

Temperature drift	[cm/s x 1/K]	0.1 **)
-------------------	--------------	---------

Max. temperature gradient of medium	[K/min]	300
-------------------------------------	---------	-----

### Reaction times

Power-on delay time	[s]	10
---------------------	-----	----

Response time	[s]	1...10
---------------	-----	--------

### Software / programming

Adjustment of the switch point	pushbuttons
--------------------------------	-------------

### Environment

Ambient temperature	[°C]	-25...60
---------------------	------	----------

Protection	IP 67 / IP 69K
------------	----------------

### Tests / approvals

EMC	EN 61000-4-2 ESD:	4 kV CD / 8 kV AD
	EN 61000-4-3 HF radiated:	10 V/m
	EN 61000-4-4 Burst:	2 kV
	EN 61000-4-6 HF conducted:	10 V

Shock resistance	DIN IEC 68-2-27:	50 g (11 ms)
------------------	------------------	--------------

Vibration resistance	DIN EN 60068-2-6	10 g (55...2000 Hz)
----------------------	------------------	---------------------

MTTF	[Years]	298
------	---------	-----

### Mechanical data

Process connection	for Aseptoflex adapter
--------------------	------------------------

Materials (wetted parts)	stainless steel 316L / 1.4404; surface characteristics: Ra < 0.4 / Rz 4
--------------------------	---

Housing materials	stainless steel 316L / 1.4404; PC (polycarbonate); PBT-GF 20; EPDM/X; O-ring: FKM
-------------------	---

Probe length L	[mm]	55
----------------	------	----

Installation length EL	[mm]	69.5
------------------------	------	------

Weight	[kg]	0.396
--------	------	-------

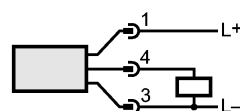
### Displays / operating elements

Function display	LED	10 LEDs, three-colour
------------------	-----	-----------------------

### Electrical connection

Connection	M12 connector; gold-plated contacts
------------	-------------------------------------

### Wiring



**SI6000**

SIS30ABBFPKG/US-100-IPF

**Flow sensors****Remarks**

Remarks	*) for water; 5...100 cm/s; 25°C (factory setting) **) for water; 5...100 cm/s; 10...70°C ***) ...140°C for SIP process
Pack quantity [piece]	1