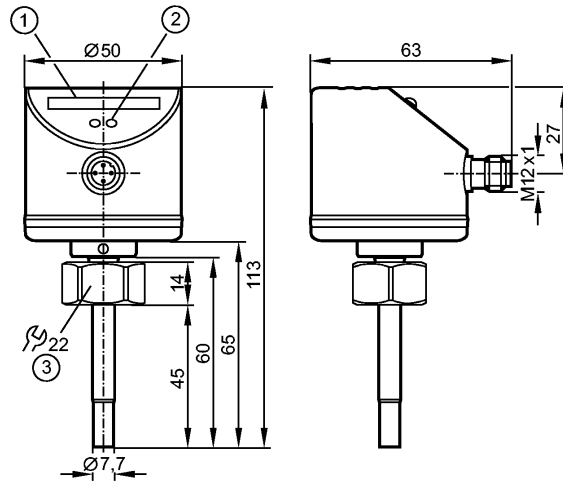


**SI500A**

SID10ABBFPKG/US-100

Flow sensors



- 1: LED display
- 2: setting pushbutton
- 3: tightening torque 25 Nm



**Product characteristics**

Flow monitor
Compact type for adapter
Process connection: internal thread M18 x 1.5 for adapter
Probe length: 45 mm
ATEX approval
Group II, category 3D/3G
Setting range: 3...300 cm/s (liquids)

**Application**

Application	liquids and gases
Pressure rating [bar]	30
Medium temperature [°C]	-25...60

**Electrical data**

Electrical design	DC PNP
Operating voltage [V]	19...36 DC
Current consumption [mA]	< 60
Protection class	III
Reverse polarity protection	yes

**Outputs**

Output function	normally open / closed programmable
Current rating [mA]	250
Voltage drop [V]	< 2.5
Short-circuit protection	yes (non-latching)
Overload protection	yes

**Measuring / setting range**

Liquids	
Setting range [cm/s]	3...300
Greatest sensitivity [cm/s]	3...100
Gases	



## SI500A

SID10ABBFPKG/US-100

Flow sensors

Setting range	[cm/s]	200...3000
Greatest sensitivity	[cm/s]	200...800

### Accuracy / deviations

Switch point accuracy	[cm/s]	± 2...± 10 *)
Hysteresis	[cm/s]	2...5 *)
Repeatability	[cm/s]	1...5 *)
Temperature drift	[cm/s x 1/K]	0.1 **)
Max. temperature gradient of medium	[K/min]	300

### Reaction times

Power-on delay time	[s]	10
Response time	[s]	1...10

### Software / programming

Adjustment of the switch point	pushbuttons
--------------------------------	-------------

### Environment

Ambient temperature	[°C]	-20...60
Storage temperature	[°C]	-25...100
Protection		IP 67

### Tests / approvals

Marking of the unit	Ex II 3D Ex tc IIIC T95°C Dc X Ex II 3G Ex nA IIC T4 Gc X	
EMC	EN 61000-4-2 ESD: 4 kV CD / 8 kV AD EN 61000-4-3 HF radiated: 10 V/m EN 61000-4-4 Burst: 2 kV EN 61000-4-6 HF conducted: 10 V	
Shock resistance	DIN IEC 68-2-27:	50 g (11 ms)
Vibration resistance	DIN EN 60068-2-6	20 g (55...2000 Hz)
MTTF	[Years]	298

### Mechanical data

Process connection	internal thread M18 x 1.5 for adapter	
Materials (wetted parts)	stainless steel 316L / 1.4404; O-ring: FKM 8 x 1.5 gr 80° Shore A	
Housing materials	stainless steel 316L / 1.4404; V2A / 301 / 1.4310; PC (polycarbonate); PBT-GF 20; EPDM/X	
Probe length L	[mm]	45
Weight	[kg]	0.252

### Displays / operating elements

Function display	LED	10 LEDs, three-colour
------------------	-----	-----------------------

### Electrical connection

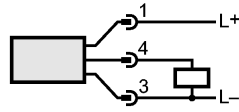
Connection	M12 connector
------------	---------------

### Wiring



## SI500A

SID10ABBFPKG/US-100



### Remarks

Remarks

\*) for water; 5...100 cm/s; 25°C (factory setting)

\*\*\*) for water; 5...100 cm/s; 10...60°C

Pack quantity

[piece]

1