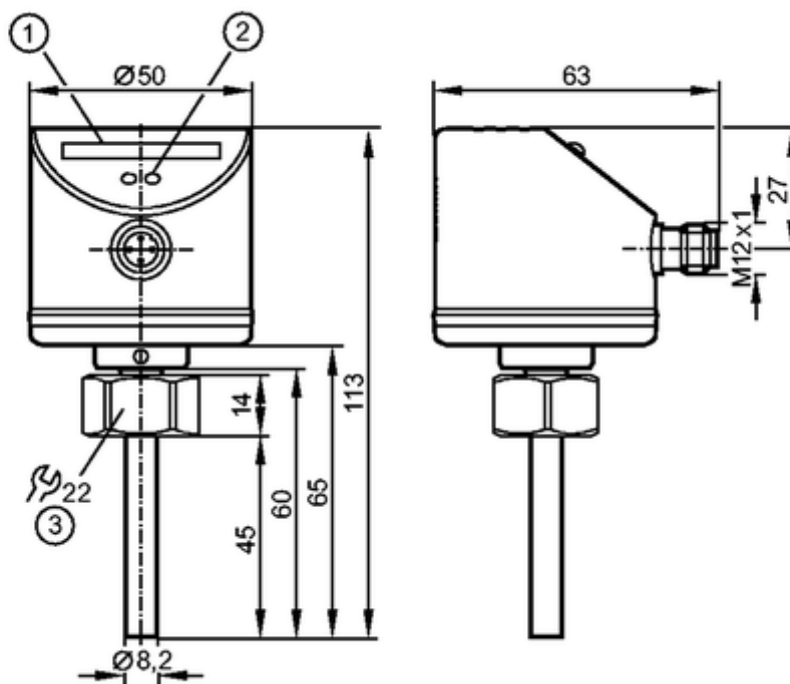


efector300**SI5004**

SID10ADB100G/

Flow sensors



- 1: LED display
 2: setting pushbutton
 3: tightening torque 25 Nm

**Product characteristics**

Flow transmitter
Compact type for adapter
Process connection: internal thread M18 x 1.5 for adapter
Analog output
Setting range: 3...300 cm/s (liquids)

Application

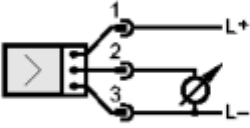

Application	liquids
Pressure rating [bar]	300
Medium temperature [°C]	-25...80

Electrical data

Electrical design	DC
Operating voltage [V]	19...36 DC
Current consumption [mA]	< 60
Protection class	III
Reverse polarity protection	yes

Outputs

Output function	4...20 mA analog
Overload protection	yes
Analog output	4...20 mA, max. 22 mA

Max. load [Ω]	500	
Measuring / setting range		
Liquids		
Setting range [cm/s]	3...300	
Greatest sensitivity [cm/s]	3...100	
Gases		
Setting range [cm/s]	-	
Accuracy / deviations		
Repeatability [% of Sr]	1...5 *)	
Temperature drift [cm/s x 1/K]	0.1 **)	
Accuracy [% of the final value]	$\pm 2... \pm 10$ cm/s *)	
Reaction times		
Power-on delay time [s]	10	
Response time [s]	1...10	
Environment		
MAWP (for applications according to CRN) [bar]	208	
Ambient temperature [°C]	-25...80	
Storage temperature [°C]	-25...100	
Protection	IP 67	
Tests / approvals		
EMC	DIN EN 61000-6-2 DIN EN 61000-6-3	
Shock resistance	DIN EN 60068-2-27	50 g (11 ms)
Vibration resistance	DIN EN 60068-2-6	20 g (55...2000 Hz)
MTTF [Years]	259	
Mechanical data		
Process connection	internal thread M18 x 1.5 for adapter	
Materials (wetted parts)	stainless steel 316L / 1.4404; O-ring: FKM 8 x 1.5 gr 80° Shore A	
Housing materials	stainless steel 316L / 1.4404; stainless steel (304S15); PC; PBT-GF 20; EPDM/X	
Weight [kg]	0.234	
Displays / operating elements		
Function display LED	10 LEDs, three-colour	
Electrical connection		
Connection	M12 connector	
Wiring		
 		
Remarks		
Remarks	*) for water; 5...100 cm/s; 25°C (factory setting) **) for water; 5...100 cm/s; 10...70°C	

Pack quantity [piece]

1

ifm efector, inc. • 1100 Atwater Drive • Malvern • PA 19355 — We reserve the right to make technical alterations without prior notice. — US — SI5004 — 09.07.2013