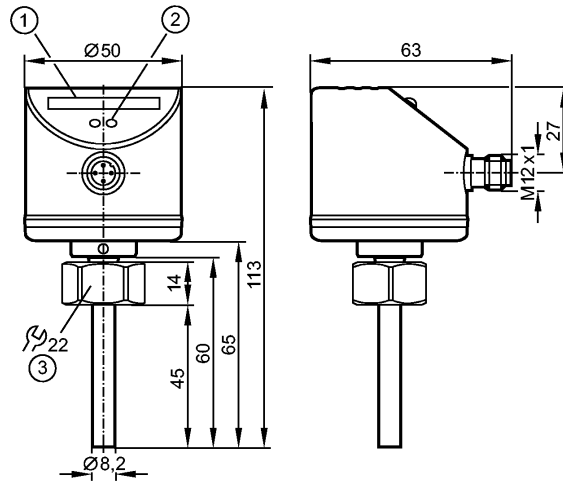


**SI5002**

SID10ADBFPKG/US-100

Flow sensors



- 1: LED display
- 2: setting pushbutton
- 3: tightening torque 25 Nm



**Product characteristics**

Flow monitor
Compact type for adapter
Process connection: internal thread M18 x 1.5 for adapter
Probe length: 45 mm
2 switching outputs
Setting range: 3...300 cm/s (liquids)

**Application**

Application	liquids and gases
Pressure rating [bar]	300
Medium temperature [°C]	-25...80

**Electrical data**

Electrical design	DC PNP
Operating voltage [V]	18...36 DC
Current consumption [mA]	< 60
Protection class	III
Reverse polarity protection	yes

**Outputs**

Output function	2 x normally open / closed programmable
Current rating [mA]	2 x 250
Voltage drop [V]	< 2.5
Short-circuit protection	yes (non-latching)
Overload protection	yes

**Measuring / setting range**

Liquids	
Setting range [cm/s]	3...300
Greatest sensitivity [cm/s]	3...100
Gases	
Setting range [cm/s]	200...3000

**SI5002**

SID10ADBFPKG/US-100

**Flow sensors**

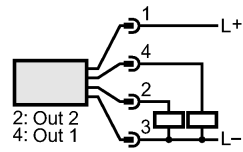
Greatest sensitivity	[cm/s]	200...800
<b>Accuracy / deviations</b>		
Switch point accuracy	[cm/s]	± 2...± 10 *)
Hysteresis	[cm/s]	2...5 *)
Repeatability	[cm/s]	1...5 *)
Temperature drift	[cm/s x 1/K]	0.1 **)
Max. temperature gradient of medium	[K/min]	300
<b>Reaction times</b>		
Power-on delay time	[s]	10
Response time	[s]	1...10
<b>Software / programming</b>		
Adjustment of the switch point		pushbuttons
<b>Interfaces</b>		
IO-Link Device		
Transfer type		COM2 (38.4 kBaud)
IO-Link revision		1.1
SDCI standard		IEC 61131-9
IO-Link Device ID		51 d / 00 00 33 h
Profiles		Smart Sensor: Process Data Variable; Device Identification
SIO mode		yes
Required master port class		A
Process data analogue		2
Process data binary		2
Min. process cycle time	[ms]	3.0
<b>Environment</b>		
Ambient temperature	[°C]	-25...80
Storage temperature	[°C]	-25...100
Protection		IP 65 / IP 67
<b>Tests / approvals</b>		
EMC		DIN EN 60947-5-9
Shock resistance		DIN IEC 60068-2-27: 50 g (11 ms)
Vibration resistance		DIN EN 60068-2-6 20 g (55...2000 Hz)
MTTF	[Years]	277
<b>Mechanical data</b>		
Process connection		internal thread M18 x 1.5 for adapter
Materials (wetted parts)		stainless steel 316L / 1.4404; O-ring: FKM 8 x 1.5 gr 80° Shore A
Housing materials		stainless steel 316L / 1.4404; V2A (1.4310); PC (polycarbonate); PBT-GF 20; EPDM/X
Probe length L	[mm]	45
Weight	[kg]	0.238
<b>Displays / operating elements</b>		
Function display	LED	10 LEDs, three-colour
<b>Electrical connection</b>		
Connection		M12 connector

## SI5002

SID10ADBFPKG/US-100

Flow sensors

### Wiring



Pin 4: IO-Link

### Remarks

Remarks

\*) for water; 5...100 cm/s; 25°C (factory setting)

\*\*\*) for water; 5...100 cm/s; 10...70°C

Pack quantity

[piece]

1