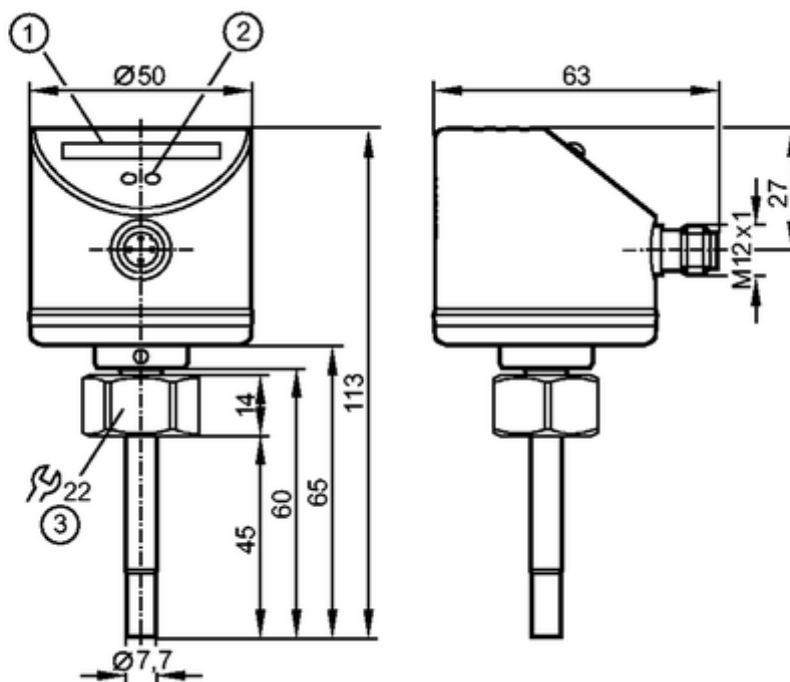


efector 300**SI5000**

SID10ABBPKG/US-100

Flow sensors



- 1: LED display
 2: setting pushbutton
 3: tightening torque 25 Nm

**Product characteristics**

Flow monitor
Compact type for adapter
Process connection: internal thread M18 x 1.5 for adapter
Probe length: 45 mm
Setting range: 3...300 cm/s (liquids)

Application

Application	liquids and gases
Pressure rating [bar]	30
Medium temperature [°C]	-25...80

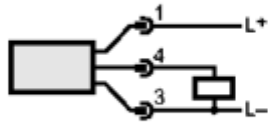
Electrical data

Electrical design	DC PNP
Operating voltage [V]	19...36 DC
Current consumption [mA]	< 60
Protection class	III
Reverse polarity protection	yes

Outputs

Output function	normally open / closed programmable
Current rating [mA]	250
Voltage drop [V]	< 2.5

Short-circuit protection	yes (non-latching)	
Overload protection	yes	
Measuring / setting range		
Liquids		
Setting range [cm/s]	3...300	
Greatest sensitivity [cm/s]	3...100	
Gases		
Setting range [cm/s]	200...3000	
Greatest sensitivity [cm/s]	200...800	
Accuracy / deviations		
Switch point accuracy [cm/s]	$\pm 2... \pm 10$ *)	
Hysteresis [cm/s]	2...5 *)	
Repeatability [cm/s]	1...5 *)	
Temperature drift [cm/s x 1/K]	0.1 **)	
Max. temperature gradient of medium [K/min]	300	
Reaction times		
Power-on delay time [s]	10	
Response time [s]	1...10	
Software / programming		
Adjustment of the switch point	pushbuttons	
Environment		
Ambient temperature [°C]	-25...80	
Storage temperature [°C]	-25...100	
Protection	IP 67	
Tests / approvals		
EMC	EN 61000-4-2 ESD:	4 kV CD / 8 kV AD
	EN 61000-4-3 HF radiated:	10 V/m
	EN 61000-4-4 Burst:	2 kV
	EN 61000-4-6 HF conducted:	10 V
Shock resistance	DIN IEC 68-2-27:	50 g (11 ms)
Vibration resistance	DIN EN 60068-2-6	20 g (55...2000 Hz)
MTTF [Years]		298
Mechanical data		
Process connection	internal thread M18 x 1.5 for adapter	
Materials (wetted parts)	stainless steel 316L / 1.4404; O-ring: FKM 8 x 1.5 gr 80° Shore A	
Housing materials	stainless steel 316L / 1.4404; V2A / 301 / 1.4310; PC (polycarbonate); PBT-GF 20; EPDM/X	
Probe length L [mm]	45	
Weight [kg]	0.235	
Displays / operating elements		
Function display LED	10 LEDs, three-colour	
Electrical connection		
Connection	M12 connector	
Wiring		



Remarks

Remarks

*) for water; 5...100 cm/s; 25°C (factory setting)
 **) for water; 5...100 cm/s; 10...70°C

Pack quantity [piece]

1

ifm efector, inc. • 1100 Atwater Drive • Malvern • PA 19355 — We reserve the right to make technical alterations without prior notice. — US — SI5000 — 09.07.2013