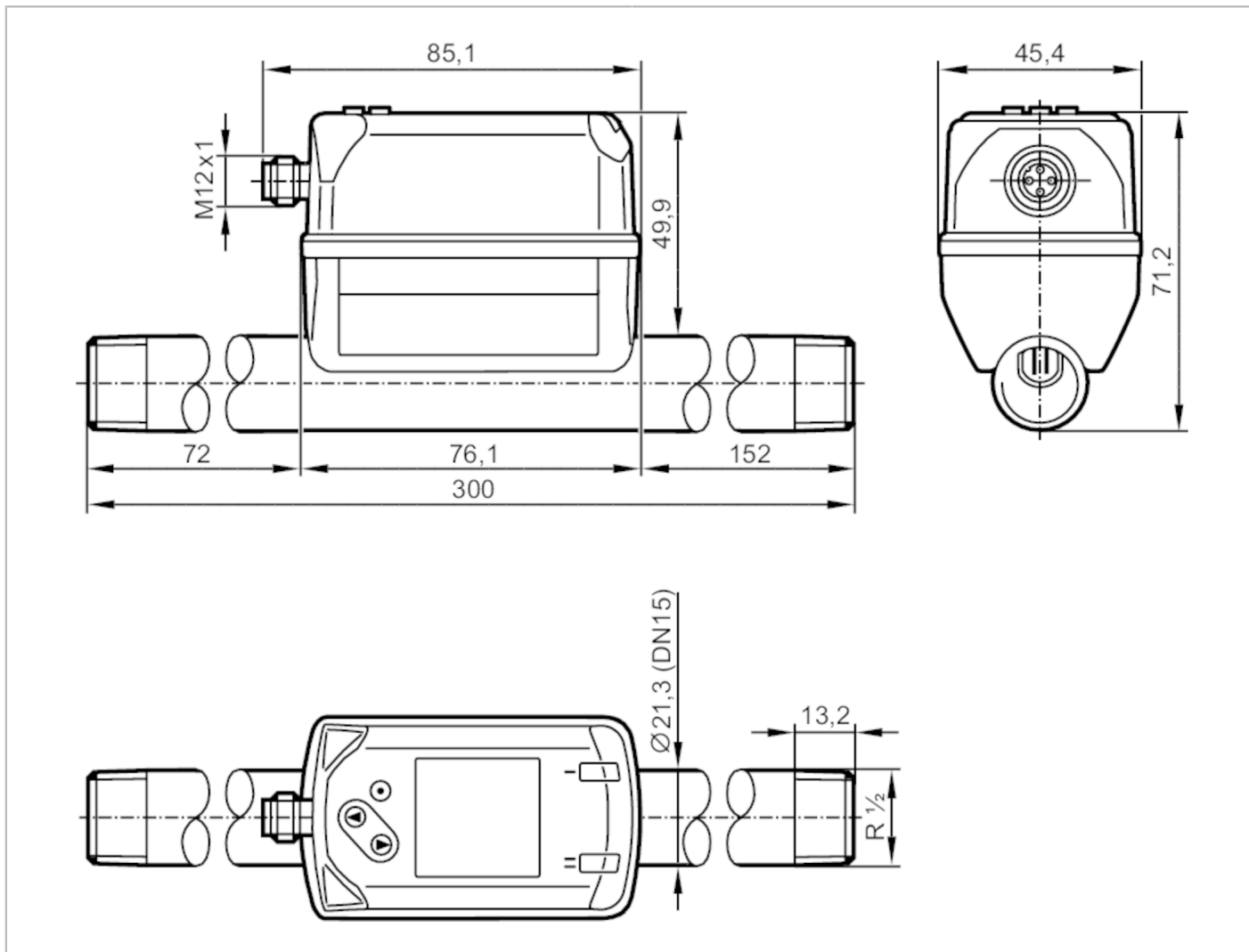


SD6600



Industrial gas counter

SDR12DGXFRKG/US-100



| Product characteristics | |
|------------------------------|---|
| Number of inputs and outputs | Number of digital outputs: 2; Number of analog outputs: 1 |
| Process connection | threaded connection R 1/2 DN15 |
| Pressure monitoring | |
| Measuring range [bar] | -1...16 |
| Application | |
| Application | for industrial applications |
| Media | Argon (Ar); carbon dioxide (CO ₂); nitrogen (N ₂); compressed air |
| Medium temperature [°C] | -10...60 |
| Min. bursting pressure [bar] | 64 |
| Min. bursting pressure [MPa] | 6.4 |
| Pressure rating [bar] | 16 |
| Pressure rating [Mpa] | 1.6 |

SD6600



Industrial gas counter

SDR12DGXFRKG/US-100

| Electrical data | | | | |
|---|------|--|----------------|--------------------------------|
| Operating voltage | [V] | 18...30 DC; (to SELV/PELV) | | |
| Current consumption | [mA] | < 80 | | |
| Protection class | | III | | |
| Reverse polarity protection | | yes | | |
| Power-on delay time | [s] | 1 | | |
| Inputs / outputs | | | | |
| Number of inputs and outputs | | Number of digital outputs: 2; Number of analog outputs: 1 | | |
| Inputs | | | | |
| Inputs | | counter reset | | |
| Outputs | | | | |
| Output signal | | switching signal; analog signal; pulse signal; IO-Link; (configurable) | | |
| Electrical design | | PNP/NPN | | |
| Number of digital outputs | | 2 | | |
| Output function | | normally open / closed; (configurable) | | |
| Max. voltage drop switching output DC | [V] | 2.5 | | |
| Permanent current rating of switching output DC | [mA] | 150; (per output) | | |
| Number of analog outputs | | 1 | | |
| Analog current output | [mA] | 4...20; (scalable) | | |
| Max. load | [Ω] | 500 | | |
| Pulse output | | consumed quantity meter | | |
| Short-circuit protection | | yes | | |
| Type of short-circuit protection | | yes (non-latching) | | |
| Overload protection | | yes | | |
| Measuring/setting range | | | | |
| Measuring range | | 4...1250 l/min | 0.3...99.8 m/s | 0.25...75 m ³ /h |
| Display range | | 0...1500 l/min | 0...119.8 m/s | 0...90 m ³ /h |
| Resolution | | 1 l/min | 0.1 m/s | 0.05 m ³ /h |
| Set point SP | | 11...1250 l/min | 0.9...99.8 m/s | 0.65...74.97 m ³ /h |
| Reset point rP | | 5...1243 l/min | 0.4...99.3 m/s | 0.28...74.6 m ³ /h |
| Analog start point ASP | | 0...1000 l/min | 0...79.8 m/s | 0...60 m ³ /h |
| Analog end point AEP | | 250...1250 l/min | 20...99.8 m/s | 15...75 m ³ /h |
| Low flow cut-off LFC | | 1...13 l/min | 0.1...1.1 m/s | 0.09...0.8 m ³ /h |
| In steps of | | 1 l/min | 0.1 m/s | 0.01 m ³ /h |

SD6600



Industrial gas counter

SDR12DGXFRKG/US-100

| Pressure monitoring | | |
|-------------------------------------|------------------------|--|
| Measuring range | [bar] | -1...16 |
| Display range | [bar] | -1...20 |
| Resolution | [bar] | 0.05 |
| Set point SP | [bar] | -0.92...16 |
| Reset point rP | [bar] | -1...15.92 |
| Analog start point | [bar] | -1...12.8 |
| Analog end point | [bar] | 2.2...16 |
| In steps of | [bar] | 0.01 |
| Volumetric flow quantity monitoring | | |
| Measuring range | | 0...100000000 m ³ 0...353146667.2 scf |
| Display range | | 0...100000000 m ³ 0...353146667.2 scf |
| Set point SP | | 0.001...10000000 m ³ 0.05...353146667.2 scf |
| Pulse value | | 0.001...10000000 m ³ 0.05...353146667.2 scf |
| In steps of | | 0.0001 m ³ 0.005 scf |
| Pulse length | [s] | 0.002...2 |
| Temperature monitoring | | |
| Measuring range | | -10...60 °C 14...140 °F |
| Display range | | -24...74 °C -11.2...165.2 °F |
| Resolution | | 0.2 °C 0.5 °F |
| Set point SP | | -9.7...60 °C 14.6...140 °F |
| Reset point rP | | -10...59.7 °C 14...139.4 °F |
| Analog start point | | -10...46 °C 14...114.8 °F |
| Analog end point | | 4...60 °C 39.2...140 °F |
| In steps of | | 0.1 °C 0.1 °F |
| Accuracy / deviations | | |
| Temperature coefficient | [1/K] | ± 0,07 % MW |
| Accuracy (in the measuring range) | | ± (6 % MW + 0,6 % MEW); at medium temperature 23 °C |
| Repeatability | | ± (0,4 % MW + 0,1 % MEW) |
| Pressure monitoring | | |
| Repeatability | [% of the final value] | ± 0,2 |
| Characteristics deviation | [% of the final value] | < ± 0,5; (BFSL = Best Fit Straight Line) |
| Greatest TEMPCO of the span | [% MEW / 10 K] | ± 0,3 |
| Greatest TEMPCO of the zero point | [% MEW / 10 K] | ± 0,1 |
| Temperature monitoring | | |
| Accuracy | [K] | ± 0,5; (medium flow in the limit area of the flow measurement range) |
| Reaction times | | |
| Response time | [s] | 0.1; (dAP = 0) |
| Damping process value dAP | [s] | 0...5 |

SD6600



Industrial gas counter

SDR12DGXFRKG/US-100

| | | |
|-------------------------------|--|--------------------|
| Pressure monitoring | | |
| Response time | [s] | 0.05 |
| Temperature monitoring | | |
| Dynamic response T05 / T09 | [s] | T09 = 0,5 |
| Software / programming | | |
| Parameter setting options | hysteresis / window; normally open / closed; current/pulse output; display can be rotated and switched off; Display unit; totalizer | |
| Interfaces | | |
| Communication interface | IO-Link | |
| Transmission type | COM2 (38,4 kBaud) | |
| IO-Link revision | 1.1 | |
| SDCI standard | IEC 61131-9 CDV | |
| Profiles | Digital Measuring Sensor (0x800A), Identification and Diagnosis (0x4000) | |
| SIO mode | yes | |
| Required master port class | A | |
| Process data analog | 8 | |
| Process data binary | 2 | |
| Min. process cycle time | [ms] | 7.2 |
| Supported DeviceIDs | Type of operation | DeviceID |
| | default | 864 |
| Operating conditions | | |
| Ambient temperature | [°C] | 0...60 |
| Storage temperature | [°C] | -20...85 |
| Max. relative air humidity | [%] | 90 |
| Protection | IP 65; IP 67 | |
| Tests / approvals | | |
| EMC | DIN EN 60947-5-9 | |
| | model number | 003TG |
| | accuracy class | - |
| | maximum allowable error | ± 7 % FS |
| | Q (min) | 0,25 m³/h |
| | Q (t) | - |
| CPA approval | Q (max) | 75 m³/h |
| | DIN EN 68000-2-6 | 5 g (10...2000 Hz) |
| | MTTF | [years] |
| UL approval | UL approval number | I012 |
| | File number UL | E174189 |
| Pressure equipment directive | sound engineering practice; can be used for stable gases fluid group 2 | |
| Mechanical data | | |
| Weight | [g] | 730 |
| Material | PBT+PC-GF30; PPS GF40; stainless steel (1.4301 / 304); stainless steel (1.4305 / 303); steel (1.5523) galvanized; 2.0401 (brass / CW614N); FKM | |
| Materials (wetted parts) | stainless steel (1.4301 / 304); stainless steel (1.4305 / 303); FKM; ceramics glass passivated; PPS GF40; Al2O3 (ceramics); acrylate | |
| Process connection | threaded connection R 1/2 DN15 | |

SD6600



Industrial gas counter

SDR12DGXFRKG/US-100

Displays / operating elements

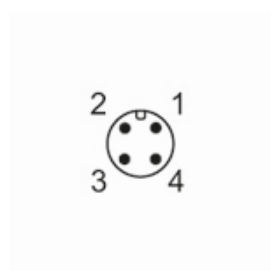
| | | |
|---------|--|--|
| Display | | Color display 1,44", 128 x 128 pixels 2 x LED, yellow |
|---------|--|--|

Remarks

| | |
|---------------|---|
| Remarks | MW = Measured value |
| | MEW = Final value of the measuring range |
| | Standard conditions: 1013.25 mbar / 15 °C / 0 % relative humidity |
| | For information about installation and operation please see the operating instructions. |
| Pack quantity | 1 pcs. |

Electrical connection

Connector: 1 x M12; coding: A



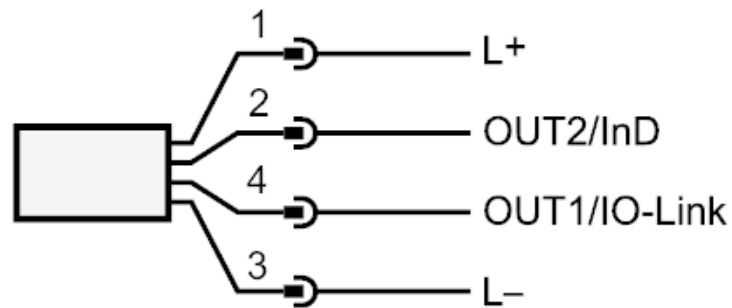
SD6600



Industrial gas counter

SDR12DGXFRKG/US-100

Connection



OUT1/IO-Link: Switching output flow
Switching output temperature
Switching output pressure
Pulse output quantity meter
signal output Preset counter

OUT2/InD: Switching output flow
Switching output temperature
Switching output pressure
analog output flow
analog output temperature
analog output pressure
signal output Preset counter
Pulse output quantity meter
Input counter reset