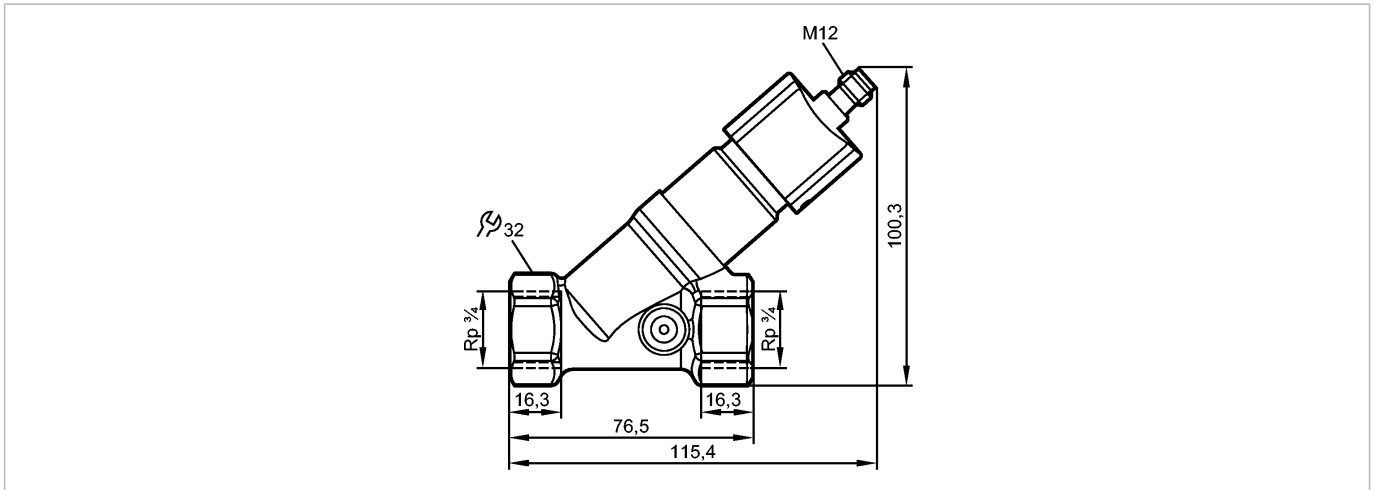


SBY432

SBY34HF010KG/US

Flow sensors



Product characteristics

Flow transmitter

with non-return valve

Process connection: Rp 3/4

Analog output

Measuring range: 0.3...15 l/min

Application

Application

liquids (water, glycol solutions, oils, coolants)

Pressure rating

[bar]

40

Medium temperature

[°C]

-10...100

Electrical data

Electrical design

DC

Operating voltage

[V]

18...32 DC; to SELV/PELV

Current consumption

[mA]

< 35

Protection class

III

Reverse polarity protection

yes

Outputs

Output function

analog

Short-circuit protection

yes

Overload protection

yes

Analog output

4...20 mA

Max. load

[Ω]

500

Measuring / setting range

Measuring range

[l/min]

0.3...15

Accuracy / deviations

Repeatability

[% of the final value]

1

Accuracy

[% of the final value]

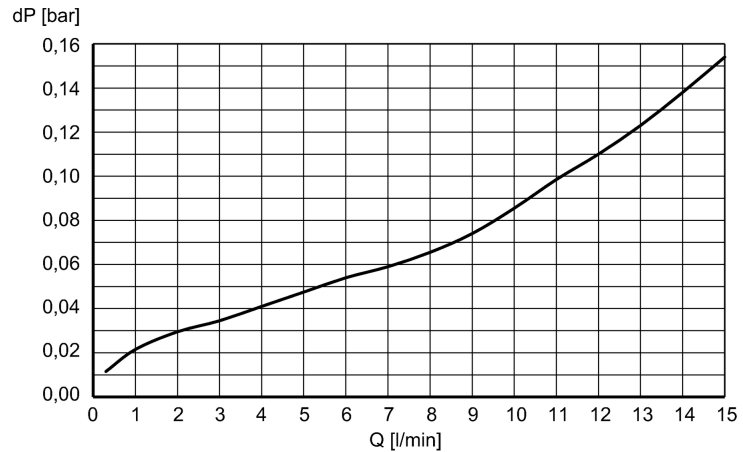
± 5

SBY432

SBY34HF010KG/US

Flow sensors

Pressure loss (dP) / flow rate (Q)



Reaction times

Response time	[s]	< 0.01
---------------	-----	--------

Environment

Ambient temperature	[°C]	0...60
Storage temperature	[°C]	-15...80
Protection		IP 65 / IP 67

Tests / approvals

EMC		DIN EN 61000-6-2 DIN EN 61000-6-3
Shock resistance		DIN EN 60068-2-27 20 g (11 ms)
Vibration resistance		DIN EN 60068-2-6 5 g (10...2000 Hz)
MTTF	[Years]	778

Mechanical data

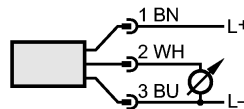
Process connection		Rp 3/4
Materials (wetted parts)		stainless steel 316 / 1.4401; brass; brass chemically nickel-plated; PP; PPS; O-ring: FKM
Housing materials		brass chemically nickel-plated; PP; stainless steel 316L / 1.4404; aluminum anodized; PA
Switching cycles min.		10 million
Weight	[kg]	0.491

Electrical connection

Connection		M12 connector
------------	--	---------------

Wiring

Core colors
 BN brown
 BU blue
 WH white



Colours to DIN EN 60947-5-2

Remarks

Remarks		Use of 200 micron filtration is recommended. All data refer to water (20 °C).
---------	--	--

Pack quantity	[piece]	1
---------------	---------	---

efector300[®]

SBY432

SBY34HF010KG/US



Flow sensors

ifm efector, inc. • 1100 Atwater Drive • Malvern • PA 19355 — We reserve the right to make technical alterations without prior notice. — US — SBY432 — 06.05.2015