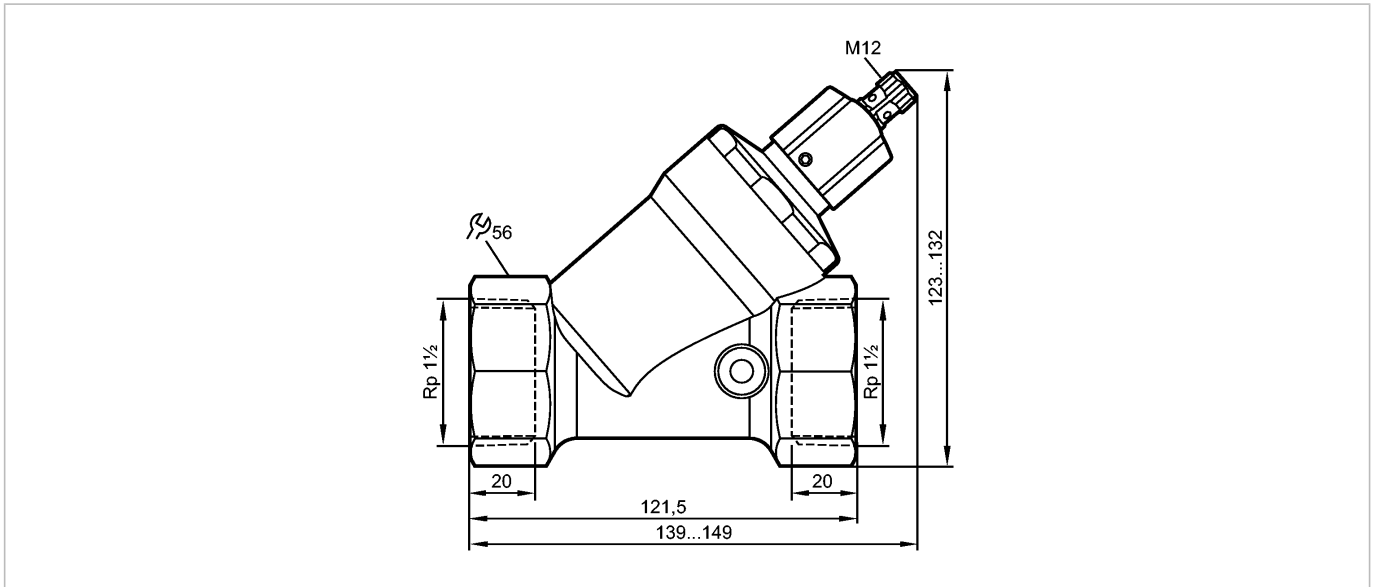


**SBY357**

SBY32BF0BPKG/US

Flow sensors



**Product characteristics**

Flow monitor

with non-return valve

Process connection: Rp 1 1/2

Setting range: 20...200 l/min

**Application**

Application: liquids (water, glycol solutions, oils, coolants)

Pressure rating [bar]: 25

Medium temperature [°C]: 0...85

**Electrical data**

Electrical design: DC PNP

Operating voltage [V]: 10...30 DC; to SELV/PELV

Current consumption [mA]: < 15

Protection class: III

Reverse polarity protection: yes

**Outputs**

Output function: normally open

Current rating [mA]: 100

Voltage drop [V]: < 2.5

Short-circuit protection: yes

Overload protection: yes

**Measuring / setting range**

Setting range [l/min]: 20...200

**Accuracy / deviations**

Hysteresis [l/min]: 5...10

Repeatability [% of the final value]: 1

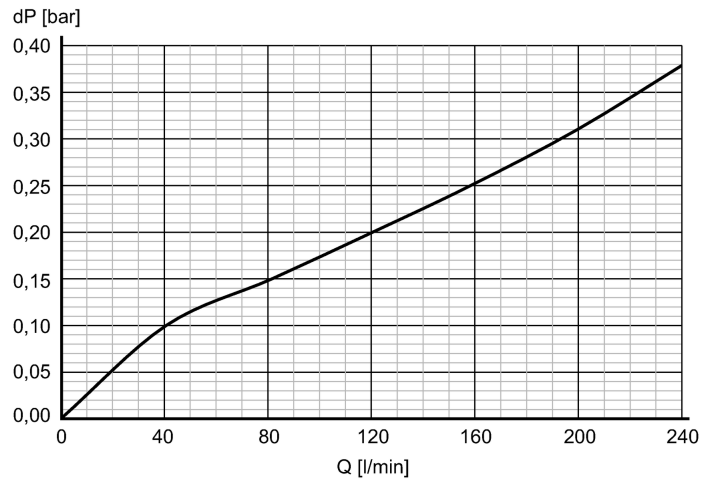
Accuracy [% of the final value]: ± 5

**SBY357**

SBY32BF0BPKG/US

Flow sensors

Pressure loss (dP) / flow rate (Q)



**Reaction times**

Response time	[s]	< 0.01
---------------	-----	--------

**Environment**

Ambient temperature	[°C]	0...60
Storage temperature	[°C]	-15...80
Protection		IP 65 / IP 67

**Tests / approvals**

EMC		DIN EN 61000-6-2 DIN EN 61000-6-3
Shock resistance		DIN EN 60068-2-27      20 g (11 ms)
Vibration resistance		DIN EN 60068-2-6      5 g (10...2000 Hz)
MTTF	[Years]	15.78

**Mechanical data**

Process connection		Rp 1½
Materials (wetted parts)		stainless steel 301 / 1.4310; stainless steel (304S15); PBT; brass chemically nickel-plated; PP; PPS; Polyolefin; O-ring: FKM
Housing materials		brass chemically nickel-plated; PP; aluminum anodized; PA
Switching cycles min.		10 million
Weight	[kg]	1.386

**Displays / operating elements**

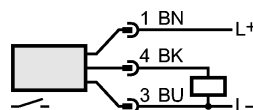
Output status indication	LED	yellow (4 x 90°)
--------------------------	-----	------------------

**Electrical connection**

Connection		M12 connector
------------	--	---------------

**Wiring**

- Core colors
- BK    black
- BN    brown
- BU    blue



Colours to DIN EN 60947-5-2

**Accessories**

Accessories (included)		Allen key
------------------------	--	-----------

**SBY357**

SBY32BF0BPKG/US

**Flow sensors****Remarks**

Remarks	Attention: Do not turn the cap beyond the maximum value of the setting range. All data refer to water (20 °C).
Pack quantity [piece]	1