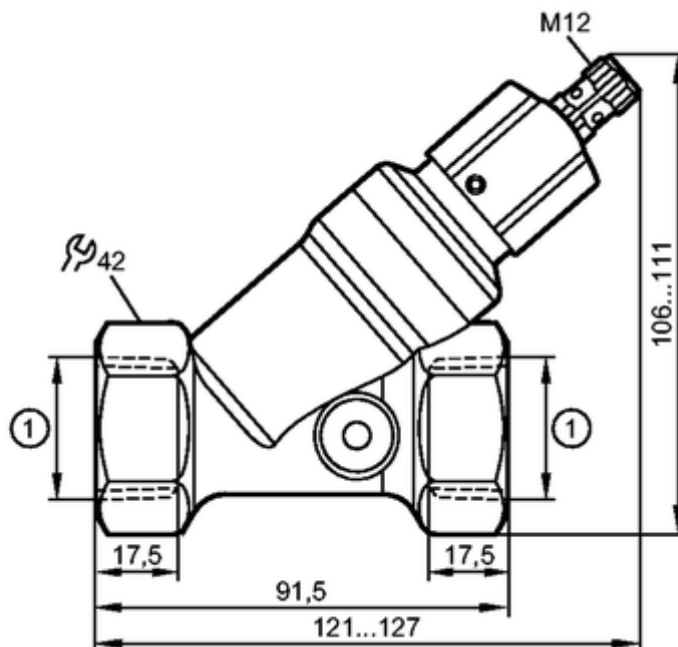


efector300**SBY346**

SBY11BF0BPKG/US

Flow sensors



1: : Rp 1

**Product characteristics**

Flow monitor
with non-return valve
Process connection: Rp 1
Setting range: 5...100 l/min

Application

Application	liquids (water, glycol solutions, oils, coolants)
Pressure rating [bar]	25
Medium temperature [°C]	0...85

Electrical data

Electrical design	DC PNP
Operating voltage [V]	10...30 DC; to SELV/PELV
Current consumption [mA]	< 15
Protection class	III
Reverse polarity protection	yes

Outputs

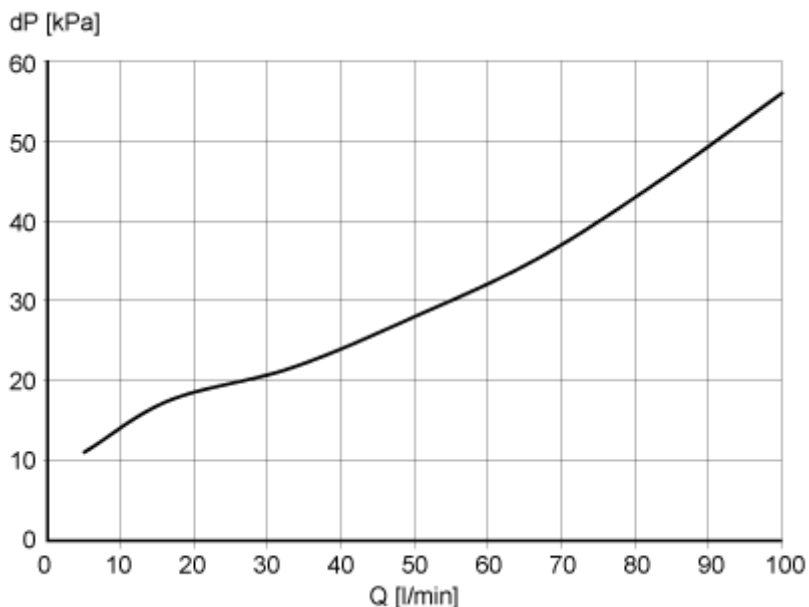
Output function	normally open
Current rating [mA]	100
Voltage drop [V]	< 2.5
Short-circuit protection	yes
Overload protection	yes

Measuring / setting range

Setting range [l/min]	5...100
-----------------------	---------

Accuracy / deviations

Hysteresis [l/min]	3...6
Repeatability [% of the final value]	1
Accuracy [% of the final value]	± 5
Pressure loss (dP) / flow rate (Q)	

**Reaction times**

Response time [s]	< 0.01
-------------------	--------

Environment

Ambient temperature [°C]	0...60
Storage temperature [°C]	-15...80
Protection	IP 65 / IP 67

Tests / approvals

EMC	DIN EN 61000-6-2	
	DIN EN 61000-6-3	
Shock resistance	DIN EN 60068-2-27	20 g (11 ms)
Vibration resistance	DIN EN 60068-2-6	5 g (10...2000 Hz)
MTTF [Years]		15.78

Mechanical data

Process connection	Rp 1
Materials (wetted parts)	stainless steel 301 / 1.4310; stainless steel (304S15); PBT; Brass chemically nickel-plated; PP; PPS; Polyolefin; O-ring: FKM
Housing materials	Brass chemically nickel-plated; PP; aluminium anodised; PA
Switching cycles min.	10 million
Weight [kg]	0.699

Displays / operating elements

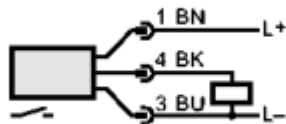
Output status indication LED	yellow (4 x 90°)
------------------------------	------------------

Electrical connection

Connection	M12 connector
------------	---------------

Wiring

Core colours
 BK black
 BN brown
 BU blue



Colours to DIN EN 60947-5-2

Accessories	
Accessories (included)	Allen key
Remarks	
Remarks	Attention: Do not turn the cap beyond the maximum value of the setting range. All data refer to water (20 °C).
Pack quantity [piece]	1

ifm electronic gmbh • Friedrichstraße 1 • 45128 Essen — We reserve the right to make technical alterations without prior notice. — GB — SBY346 — 12.12.2013