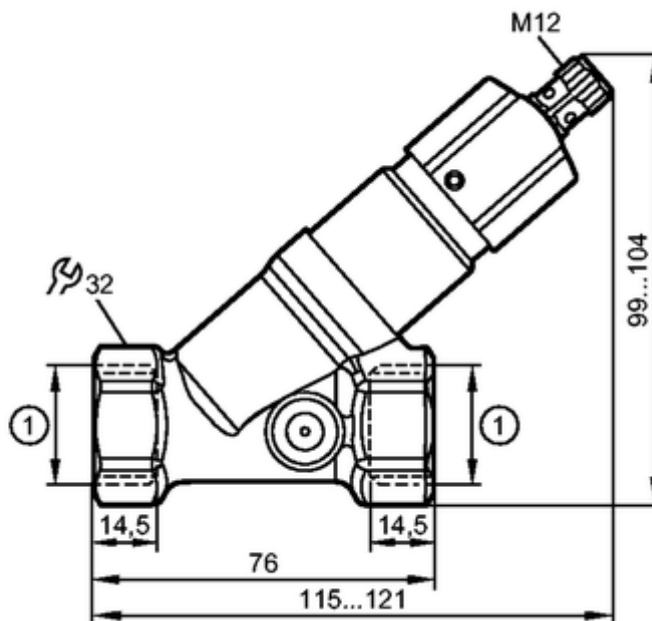


**efector300****SBY332**

SBY34BF0BPKG/US

Flow sensors

1: Rp  $\frac{3}{4}$ **Product characteristics**

Flow monitor  
with non-return valve  
Process connection: Rp  $\frac{3}{4}$   
Setting range: 1...15 l/min

**Application**

Application	liquids (water, glycol solutions, oils, coolants)
Pressure rating [bar]	40
Medium temperature [°C]	0...85

**Electrical data**

Electrical design	DC PNP
Operating voltage [V]	10...30 DC; to SELV/PELV
Current consumption [mA]	< 15
Protection class	III
Reverse polarity protection	yes

**Outputs**

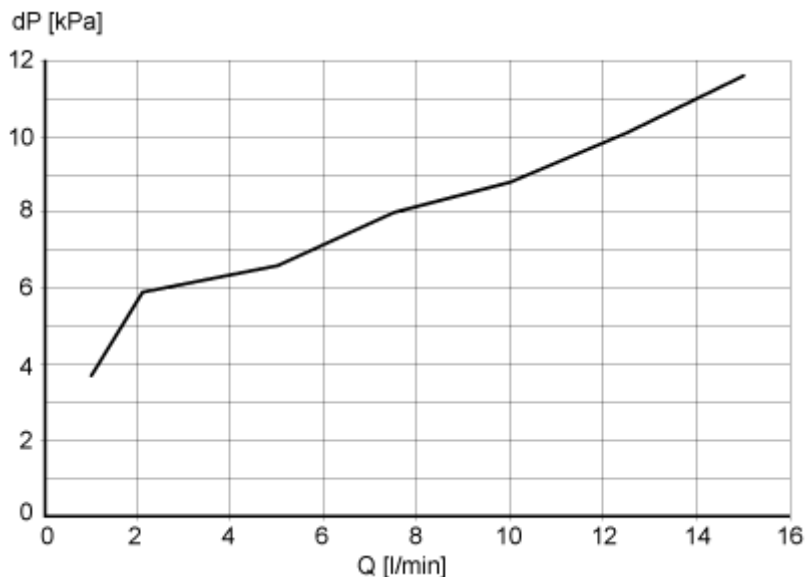
Output function	normally open
Current rating [mA]	100
Voltage drop [V]	< 2.5
Short-circuit protection	yes
Overload protection	yes

**Measuring / setting range**

Setting range [l/min]	1...15
-----------------------	--------

**Accuracy / deviations**

Hysteresis [l/min]	0.2...1
Repeatability [% of the final value]	1
Accuracy [% of the final value]	± 5
Pressure loss (dP) / flow rate (Q)	

**Reaction times**

Response time [s]	< 0.01
-------------------	--------

**Environment**

Ambient temperature [°C]	0...60
Storage temperature [°C]	-15...80
Protection	IP 65 / IP 67

**Tests / approvals**

EMC	DIN EN 61000-6-2	
	DIN EN 61000-6-3	
Shock resistance	DIN EN 60068-2-27	20 g (11 ms)
Vibration resistance	DIN EN 60068-2-6	5 g (10...2000 Hz)
MTTF [Years]		15.78

**Mechanical data**

Process connection	Rp 3/4
Materials (wetted parts)	stainless steel 301 / 1.4310; stainless steel (304S15); PBT; Brass chemically nickel-plated; PP; PPS; Polyolefin; O-ring: FKM
Housing materials	Brass chemically nickel-plated; PP; aluminium anodised; PA
Switching cycles min.	10 million
Weight [kg]	0.452

**Displays / operating elements**

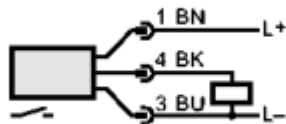
Output status indication LED	yellow (4 x 90°)
------------------------------	------------------

**Electrical connection**

Connection	M12 connector
------------	---------------

**Wiring**

Core colours  
 BK black  
 BN brown  
 BU blue



Colours to DIN EN 60947-5-2

Accessories	
Accessories (included)	Allen key
Remarks	
Remarks	Attention: Do not turn the cap beyond the maximum value of the setting range. All data refer to water (20 °C).
Pack quantity [piece]	1

ifm electronic gmbh • Friedrichstraße 1 • 45128 Essen — We reserve the right to make technical alterations without prior notice. — GB — SBY332 — 05.05.2015