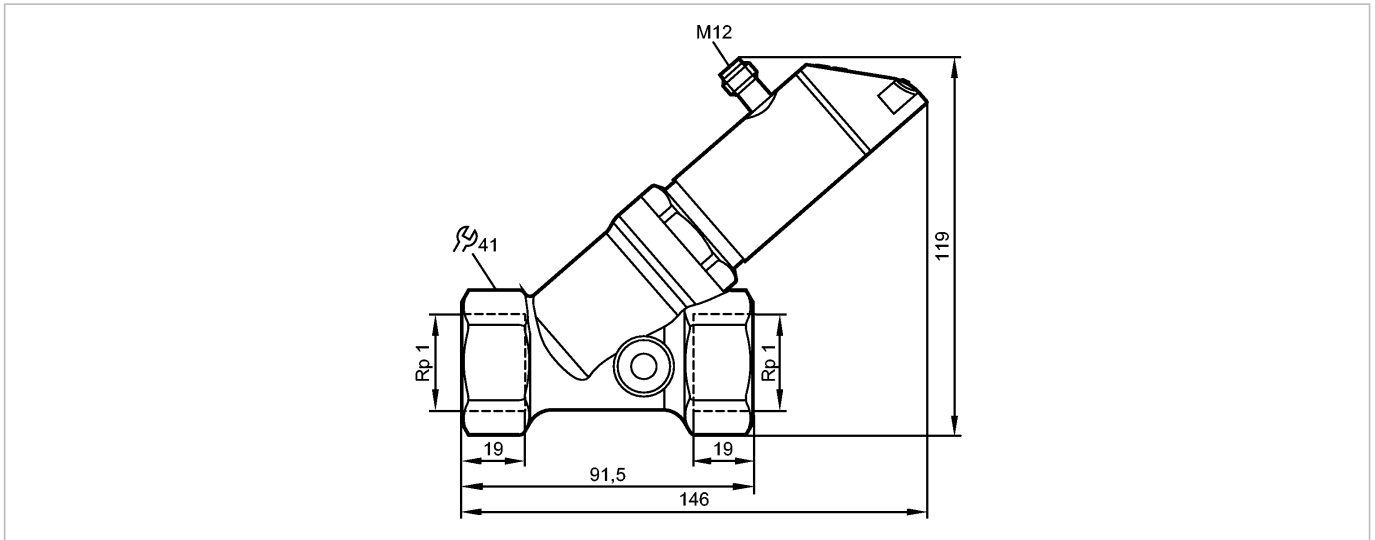


**SBY246**

SBY11IF0FRKG

Flow sensors



**Product characteristics**

Mechatronic flow meter
with non-return valve
Process connection: Rp 1
With display (360° rotatable); IO-Link; temperature measurement

**Application**

Application	Liquids (water, glycol solutions, coolants, oil (oil 1 with viscosity 10 mm <sup>2</sup> /s at 40 °C; oil 2 with viscosity 46 mm <sup>2</sup> /s at 40 °C)
Pressure rating [bar]	25
Medium temperature [°C]	-10...100

**Electrical data**

Electrical design	DC
Operating voltage [V]	18...30 DC; to DIN EN 50178, SELV, PELV
Current consumption [mA]	< 50
Protection class	III
Reverse polarity protection	yes

**Outputs**

Output function	OUT1: NO / NC programmable or frequency or IO-Link OUT2: NO / NC programmable or analogue
Current rating [mA]	2 x 150; 2 x 200 (...60 °C); 2 x 250 (...40 °C)
Voltage drop [V]	< 2
Short-circuit protection	yes
Overload protection	yes
Analog output	4...20 mA
Max. load [Ω]	500
Frequency range [Hz]	0...10000

**Measuring / setting range**

Flow monitoring		
Measuring range	2...100 [l/min]	0.12...6 [m <sup>3</sup> /h]
Display range	0...120 [l/min]	0...7.2 [m <sup>3</sup> /h]
Resolution	0.5 [l/min]	0.05 [m <sup>3</sup> /h]
Set point, SP	1...100 [l/min]	0.05...6 [m <sup>3</sup> /h]



## SBY246

SBY111F0FRKG

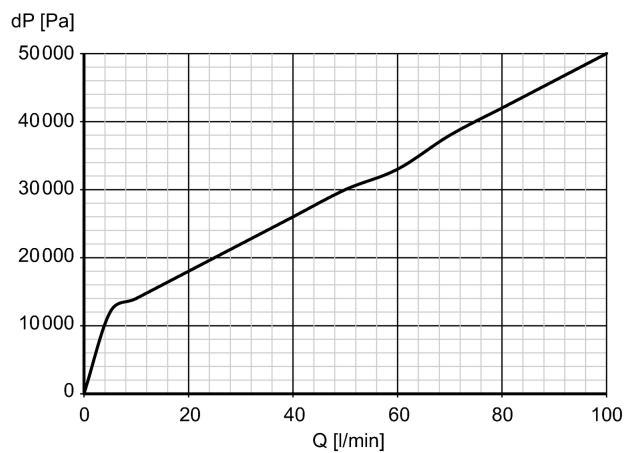
Flow sensors

Reset point, rP	0...99 [l/min]	0...5.95 [m³/h]
Frequency end point, FEP	6.5...100 [l/min]	0.4...6 [m³/h]
in steps of	0.5 [l/min]	0.05 [m³/h]
Frequency at the end point, FrP [Hz]	10...10000	
in steps of	10 Hz	
Measuring dynamics	1:50	
Temperature monitoring		
Measuring range [°C]	-10...100	
Display range [°C]	-32...122	
Resolution [°C]	1	
Set point, SP [°C]	-9...100	
Reset point, rP [°C]	-10...99	
Frequency start point, FSP [°C]	-10...78	
Frequency end point, FEP [°C]	12...100	
in steps of [°C]	1	
Frequency at the end point, FrP [Hz]	10...10000	

### Accuracy / deviations

Flow monitoring	
Accuracy [% of the final value]	$\pm (4 \% \text{ MW} + 1 \% \text{ MEW});$ $Q > 2 \text{ l/min, medium and ambient temperature } +22 \text{ }^\circ\text{C} \pm 4 \text{ K}$
Repeatability	$\pm 1 \% \text{ MEW}$

Pressure loss (dP) / flow rate (Q)
------------------------------------



Temperature monitoring	
Accuracy [K]	3 K (25°C; Q > 1 l/min)
Temperature drift	0.029 °C / K

### Reaction times

Power-on delay time [s]	< 3
Flow monitoring	
Response time [s]	0.01
Damping for the switching output (dAP) [s]	0...5
Damping for the analog output (dAA) [s]	0...5
in steps of	0.1 s
Temperature monitoring	
Response time [s]	T09 = 120 (Q > 1 l/min)

**SBY246**

SBY11IF0FRKG

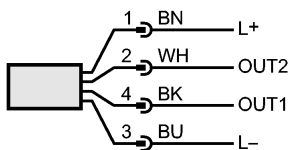
**Flow sensors**

Software / programming	
Programming options	Hysteresis/window; NO/NC; switching logic; current / frequency output; fluid selection, damping switching/analogue output, display can be rotated/switched off; standard unit of measurement/colour process value
Interfaces	
IO-Link Device	
Transfer type	COM2 (38.4 kBaud)
IO-Link revision	1.1
SDCI standard	IEC 61131-9 CDV
IO-Link Device ID	563 d / 0233 h
Profiles	Smart Sensor: Process Data Variable; Device Identification
SIO mode	yes
Required master port class	A
Process data analogue	2
Process data binary	2
Min. process cycle time [ms]	5
Environment	
Ambient temperature [°C]	0...60, at max. 80 °C medium temperature (0...40 °C at max. 100 °C medium temperature)
Storage temperature [°C]	-15...80
Protection	IP 65 / IP 67
Tests / approvals	
Pressure equipment directive	sound engineering practice
EMC	DIN EN 61000-6-2 DIN EN 61000-6-3
Shock resistance	DIN EN 60068-2-27      20 g (11 ms)
Vibration resistance	DIN EN 60068-2-6      5 g (10...2000 Hz)
MTTF [Years]	145
UL approval number	I006
Mechanical data	
Process connection	Rp 1
Materials (wetted parts)	stainless steel 316 / 1.4401; stainless steel 316L / 1.4404; brass (2.0371); brass chemically nickel-plated; PPS; O-ring: FKM
Housing materials	stainless steel 316L / 1.4404; PBT+PC-GF 30; PBT-GF 20; PC; brass chemically nickel-plated
Weight [kg]	0.856
Switching cycles min.	10 million
Displays / operating elements	
Display	Display unit      3 x LED green Switching status    2 x LED yellow 4-digit alphanumeric display / alternating indication Measured values of red and green Programming      4-digit alphanumeric display
Electrical connection	
Connection	M12 connector; gold-plated contacts
Wiring	

## SBY246

SBY11IF0FRKG

Core colors  
 BK black  
 BN brown  
 BU blue  
 WH white



**OUT1:**

- switching output flow rate monitoring
- switching output temperature monitoring
- frequency output flow rate monitoring
- frequency output temperature monitoring
- IO-Link

**OUT2:**

- switching output flow rate monitoring
- switching output temperature monitoring
- analogue output flow rate
- analogue output temperature

-----

Colours to DIN EN 60947-5-2

**Remarks**

Remarks	Use of 200 micron filtration is recommended. All data refer to water (20 °C). MW = measured value MEW = final value of the measuring range
---------	---

Pack quantity	[piece]	1
---------------	---------	---