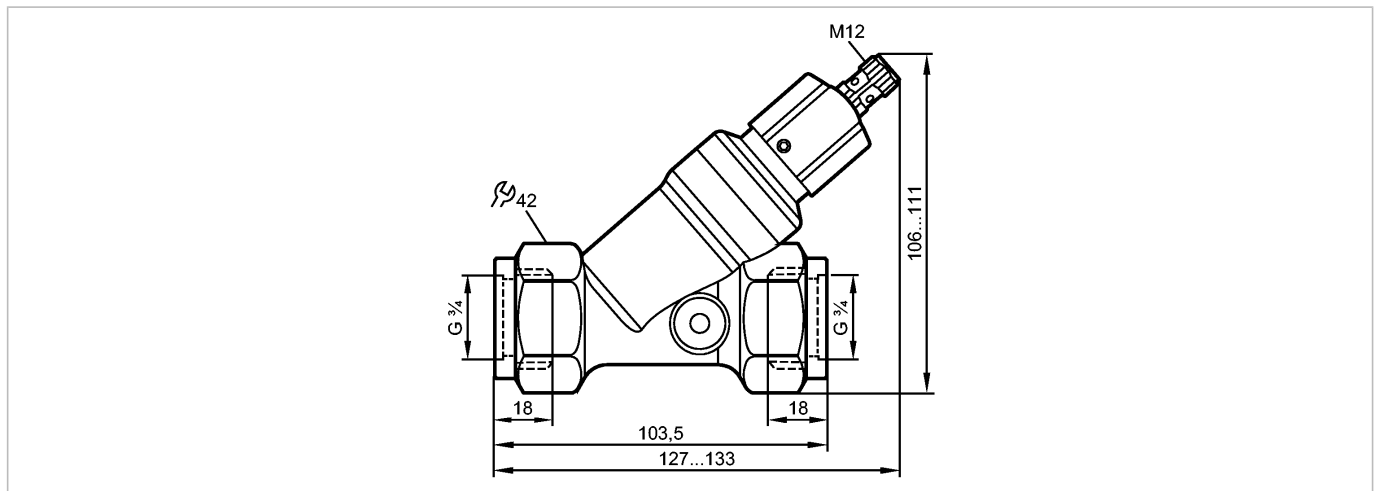


SBG346

SBY11BF0BPKG/US

Flow sensors



Product characteristics

Flow monitor	
with non-return valve	
Process connection: G 3/4	
Setting range: 5...100 l/min	

Application

Application	liquids (water, glycol solutions, oils, coolants)
Pressure rating [bar]	25
Medium temperature [°C]	0...85

Electrical data

Electrical design	DC PNP
Operating voltage [V]	10...30 DC; to SELV/PELV
Current consumption [mA]	< 15
Protection class	III
Reverse polarity protection	yes

Outputs

Output function	normally open
Current rating [mA]	100
Voltage drop [V]	< 2.5
Short-circuit protection	yes
Overload protection	yes

Measuring / setting range

Setting range [l/min]	5...100
-----------------------	---------

Accuracy / deviations

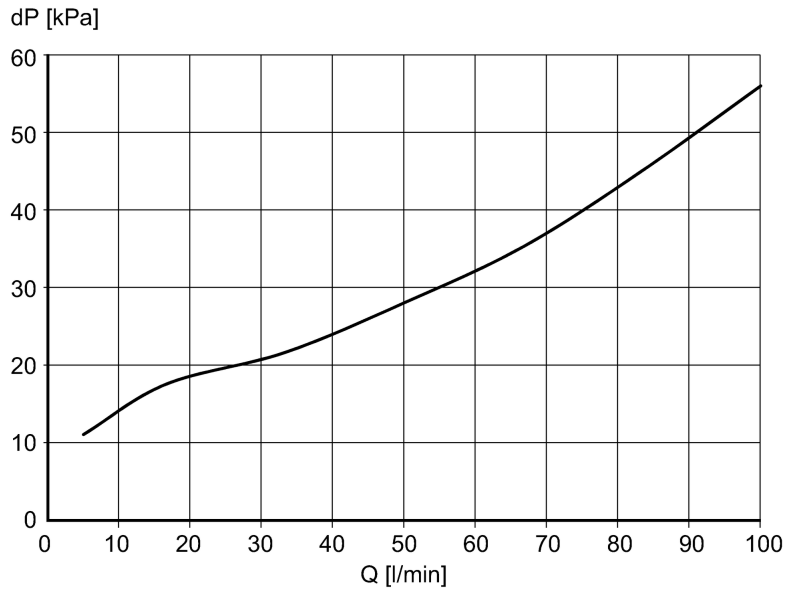
Hysteresis [l/min]	3...6
Repeatability [% of the final value]	1
Accuracy [% of the final value]	± 5

SBG346

SBY11BF0BPKG/US

Flow sensors

Pressure loss (dP) / flow rate (Q)



Reaction times

Response time	[s]	< 0.01
---------------	-----	--------

Environment

Ambient temperature	[°C]	0...60
Storage temperature	[°C]	-15...80
Protection		IP 65 / IP 67

Tests / approvals

EMC		DIN EN 61000-6-2 DIN EN 61000-6-3
Shock resistance		DIN EN 60068-2-27 20 g (11 ms)
Vibration resistance		DIN EN 60068-2-6 5 g (10...2000 Hz)
MTTF	[Years]	3318

Mechanical data

Process connection		G 3/4
Materials (wetted parts)		stainless steel 301 / 1.4310; stainless steel (304S15); PBT; brass chemically nickel-plated; PP; PPS; Polyolefin; O-ring: FKM
Housing materials		brass chemically nickel-plated; PPS; aluminum anodized; PA
Switching cycles min.		10 million
Weight	[kg]	0.855

Displays / operating elements

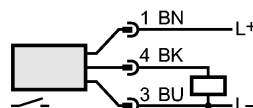
Output status indication	LED	yellow (4 x 90°)
--------------------------	-----	------------------

Electrical connection

Connection		M12 connector
------------	--	---------------

Wiring

- Core colors
- BK black
- BN brown
- BU blue



**SBG346**

SBY11BF0BPKG/US

Flow sensors

Colours to DIN EN 60947-5-2

Accessories

Accessories (included)

Allen key

Remarks

Remarks

Attention: Do not turn the cap beyond the maximum value of the setting range.
All data refer to water (20 °C).

Pack quantity

[piece]

1