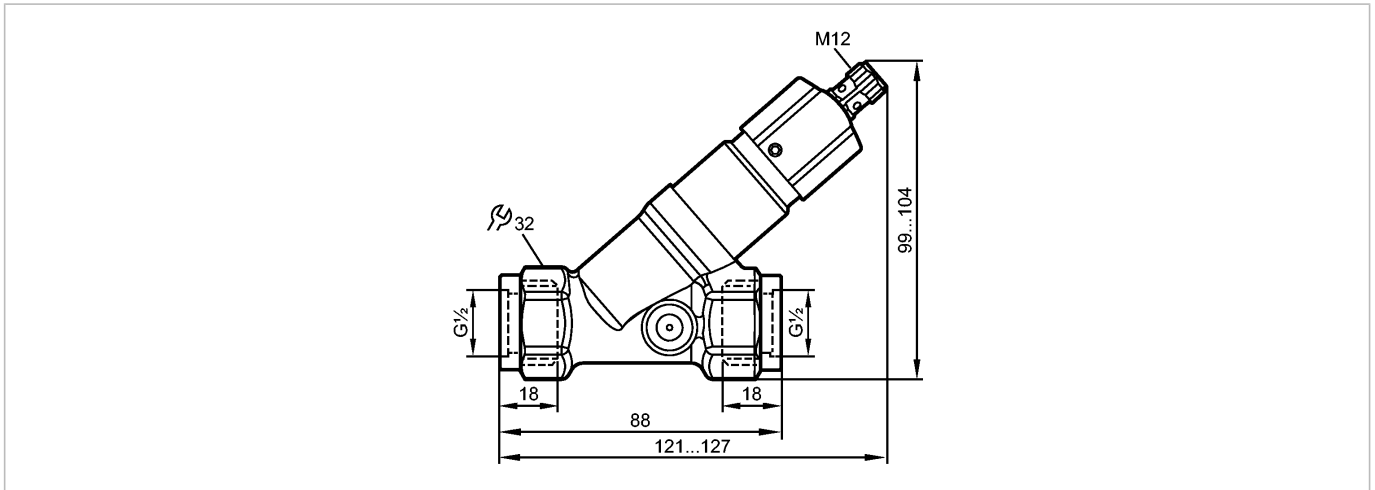


**SBG332**

SBG34BF0BPKG/US

Flow sensors



**Product characteristics**

Flow monitor

with non-return valve

Process connection: G 1/2

Setting range: 1...15 l/min

**Application**

Application liquids (water, glycol solutions, oils, coolants)

Pressure rating [bar] 40

Medium temperature [°C] 0...85

**Electrical data**

Electrical design DC PNP

Operating voltage [V] 10...30 DC; to SELV/PELV

Current consumption [mA] < 15

Protection class III

Reverse polarity protection yes

**Outputs**

Output function normally open

Current rating [mA] 100

Voltage drop [V] < 2.5

Short-circuit protection yes

Overload protection yes

**Measuring / setting range**

Setting range [l/min] 1...15

**Accuracy / deviations**

Hysteresis [l/min] 0.2...1

Repeatability [% of the final value] 1

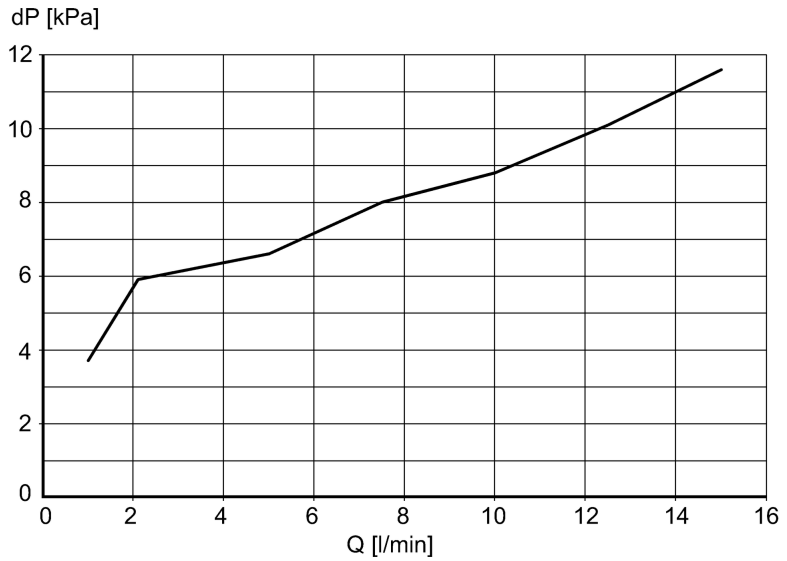
Accuracy [% of the final value] ± 5

**SBG332**

SBG34BF0BPKG/US

Flow sensors

Pressure loss (dP) / flow rate (Q)



**Reaction times**

Response time [s] < 0.01

**Environment**

Ambient temperature [°C] 0...60

Storage temperature [°C] -15...80

Protection IP 65 / IP 67

**Tests / approvals**

EMC DIN EN 61000-6-2  
DIN EN 61000-6-3

Shock resistance DIN EN 60068-2-27 20 g (11 ms)

Vibration resistance DIN EN 60068-2-6 5 g (10...2000 Hz)

MTTF [Years] 3318

**Mechanical data**

Process connection G ½

Materials (wetted parts) stainless steel 301 / 1.4310; stainless steel (304S15); PBT; brass chemically nickel-plated; PP; PPS; Polyolefin; O-ring: FKM

Housing materials brass chemically nickel-plated; PPS; aluminum anodized; PA

Switching cycles min. 10 million

Weight [kg] 0.514

**Displays / operating elements**

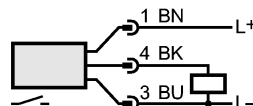
Output status indication LED yellow (4 x 90°)

**Electrical connection**

Connection M12 connector

**Wiring**

Core colors  
BK black  
BN brown  
BU blue



**SBG332**

SBG34BF0BPKG/US

**Flow sensors****Accessories**

Accessories (included)	Allen key
------------------------	-----------

**Remarks**

Remarks	Attention: Do not turn the cap beyond the maximum value of the setting range. All data refer to water (20 °C).
---------	---

Pack quantity	[piece]	1
---------------	---------	---