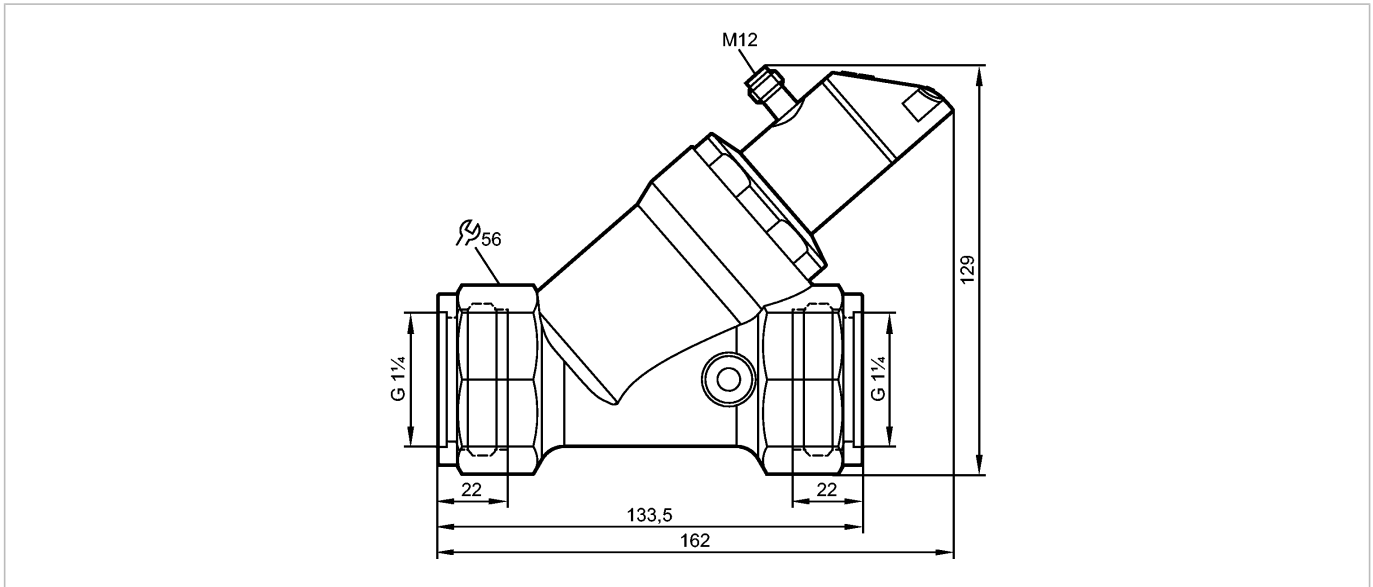


SBG257

SBG54IF0FRKG

Flow sensors



Product characteristics

Mechatronic flow meter

with non-return valve

Process connection: G 1 1/4

With display (360° rotatable); IO-Link; temperature measurement

Application

Application	Liquids (water, glycol solutions, coolants, oil (oil 1 with viscosity 10 mm ² /s at 40 °C; oil 2 with viscosity 46 mm ² /s at 40 °C))
Pressure rating [bar]	25
Medium temperature [°C]	-10...100

Electrical data

Electrical design	DC
Operating voltage [V]	18...30 DC; to DIN EN 50178, SELV, PELV
Current consumption [mA]	< 50
Protection class	III
Reverse polarity protection	yes

Outputs

Output function	OUT1: NO / NC programmable or frequency or IO-Link OUT2: NO / NC programmable or analogue
Current rating [mA]	2 x 150; 2 x 200 (...60 °C); 2 x 250 (...40 °C)
Voltage drop [V]	< 2
Short-circuit protection	yes
Overload protection	yes
Analog output	4...20 mA
Max. load [Ω]	500
Frequency range [Hz]	0...10000

Measuring / setting range

Flow monitoring		
Measuring range	4...200 [l/min]	0.24...12 [m ³ /h]
Display range	0...240 [l/min]	0...14.4 [m ³ /h]

SBG257

SBG54IF0FRKG

Flow sensors

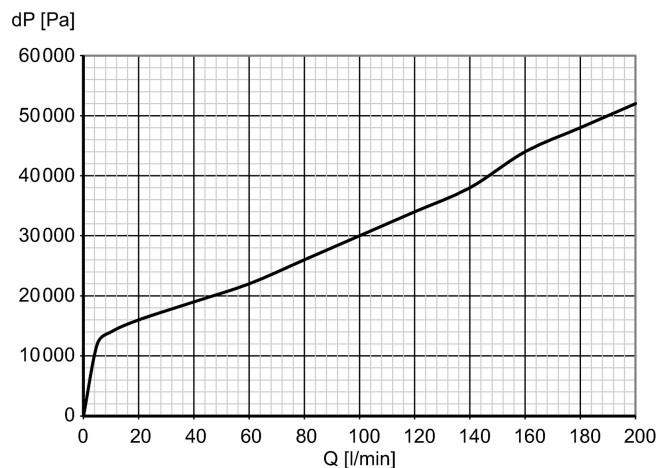
Resolution	1 [l/min]	0.05 [m³/h]
Set point, SP	2...200 [l/min]	0.1...12 [m³/h]
Reset point, rP	0...198 [l/min]	0...11.9 [m³/h]
Frequency end point, FEP	13...200 [l/min]	0.8...12 [m³/h]
in steps of	1 [l/min]	0.05 [m³/h]
Frequency at the end point, FrP [Hz]	10...10000	
in steps of	10 Hz	
Measuring dynamics	1:50	
Temperature monitoring		
Measuring range [°C]	-10...100	
Display range [°C]	-32...122	
Resolution [°C]	1	
Set point, SP [°C]	-9...100	
Reset point, rP [°C]	-10...99	
Frequency start point, FSP [°C]	-10...78	
Frequency end point, FEP [°C]	12...100	
in steps of [°C]	1	
Frequency at the end point, FrP [Hz]	10...10000	

Accuracy / deviations

Flow monitoring

Accuracy [% of the final value]	$\pm (4 \% MW + 1 \% MEW);$ $Q > 1 \text{ l/min, medium and ambient temperature } +22 \text{ °C} \pm 4 \text{ K}$
Repeatability	$\pm 1 \% MEW$

Pressure loss (dP) / flow rate (Q)



Temperature monitoring

Accuracy [K]	3 K (25°C; Q > 1 l/min)
Temperature drift	0.029 °C / K

Reaction times

Power-on delay time [s]	< 3
Flow monitoring	
Response time [s]	0.01
Damping for the switching output (dAP) [s]	0...5
Damping for the analog output (dAA) [s]	0...5

SBG257

SBG54IF0FRKG

Flow sensors

in steps of	0.1 s
-------------	-------

Temperature monitoring	
------------------------	--

Response time [s]	T09 = 120 (Q > 1 l/min)
-------------------	-------------------------

Software / programming

Programming options	Hysteresis/window; NO/NC; switching logic; current / frequency output; fluid selection, damping switching/analogue output, display can be rotated/switched off; standard unit of measurement/colour process value
---------------------	---

Interfaces

IO-Link Device	
----------------	--

Transfer type	COM2 (38.4 kBaud)
---------------	-------------------

IO-Link revision	1.1
------------------	-----

SDCI standard	IEC 61131-9 CDV
---------------	-----------------

IO-Link Device ID	564 d / 0234 h
-------------------	----------------

Profiles	Smart Sensor: Process Data Variable; Device Identification
----------	--

SIO mode	yes
----------	-----

Required master port class	A
----------------------------	---

Process data analogue	2
-----------------------	---

Process data binary	2
---------------------	---

Min. process cycle time [ms]	5
------------------------------	---

Environment

Ambient temperature [°C]	0...60, at max. 80 °C medium temperature (0...40 °C at max. 100 °C medium temperature)
--------------------------	--

Storage temperature [°C]	-15...80
--------------------------	----------

Protection	IP 65 / IP 67
------------	---------------

Tests / approvals

Pressure equipment directive	sound engineering practice
------------------------------	----------------------------

EMC	DIN EN 61000-6-2 DIN EN 61000-6-3
-----	--------------------------------------

Shock resistance	DIN EN 60068-2-27 20 g (11 ms)
------------------	-------------------------------------

Vibration resistance	DIN EN 60068-2-6 5 g (10...2000 Hz)
----------------------	--

MTTF [Years]	145
--------------	-----

UL approval number	I007
--------------------	------

Mechanical data

Process connection	G 1¼
--------------------	------

Materials (wetted parts)	stainless steel 316 / 1.4401; stainless steel 316L / 1.4404; brass (2.0371); brass chemically nickel-plated; PPS; PP GF30; O-ring: FKM
--------------------------	--

Housing materials	stainless steel 316L / 1.4404; PBT+PC-GF 30; PBT-GF 20; PC; brass chemically nickel-plated
-------------------	--

Weight [kg]	1.915
-------------	-------

Switching cycles min.	10 million
-----------------------	------------

Displays / operating elements

Display	Display unit	3 x LED green
	Switching status	2 x LED yellow
		4-digit alphanumeric display / alternating indication
	Measured values	of red and green
	Programming	4-digit alphanumeric display

Electrical connection

SBG257

SBG54IF0FRKG

Flow sensors

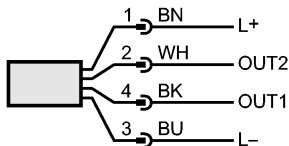
Connection

M12 connector; gold-plated contacts

Wiring

Core colors

BK black
 BN brown
 BU blue
 WH white



OUT1:

- switching output flow rate monitoring
- switching output temperature monitoring
- frequency output flow rate monitoring
- frequency output temperature monitoring
- IO-Link

OUT2:

- switching output flow rate monitoring
- switching output temperature monitoring
- analogue output flow rate
- analogue output temperature

 Colours to DIN EN 60947-5-2

Remarks

Remarks

Use of 200 micron filtration is recommended.
 All data refer to water (20 °C).
 MW = measured value
 MEW = final value of the measuring range

Pack quantity

[piece]

1