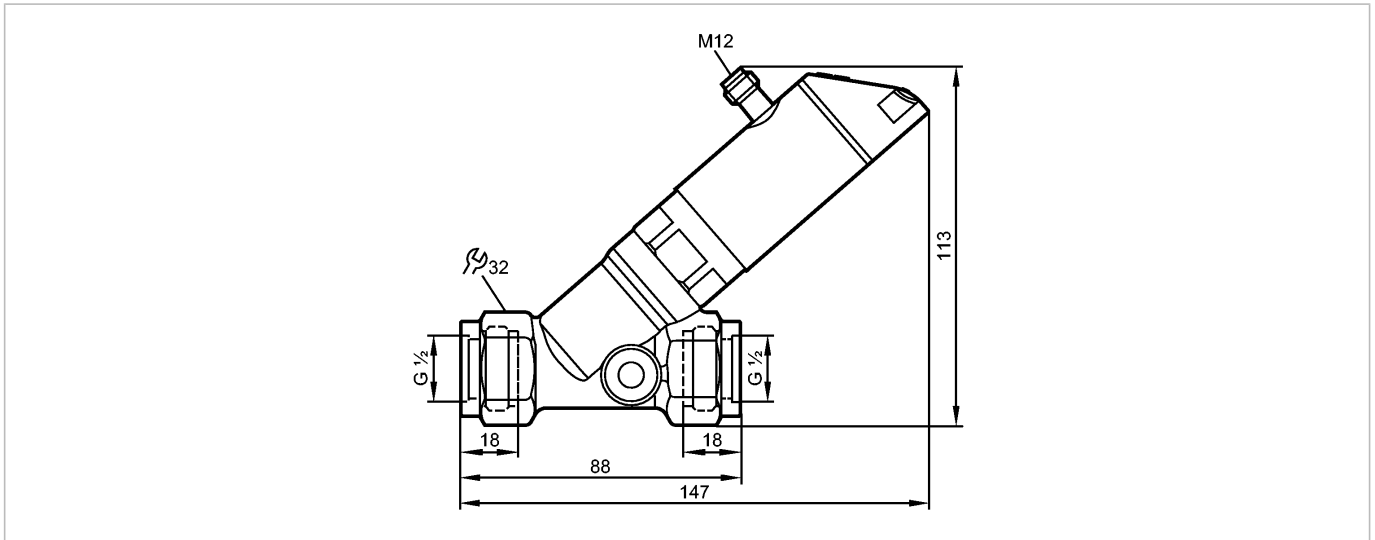


SBG234

SBG12IF0FRKG

Flow sensors



Product characteristics

Mechatronic flow meter
with non-return valve
Process connection: G 1/2
With display (360° rotatable); IO-Link; temperature measurement

Application

Application	Liquids (water, glycol solutions, coolants, oil (oil 1 with viscosity 10 mm ² /s at 40 °C; oil 2 with viscosity 46 mm ² /s at 40 °C)
Pressure rating [bar]	40
Medium temperature [°C]	-10...100

Electrical data

Electrical design	DC
Operating voltage [V]	18...30 DC; to DIN EN 50178, SELV, PELV
Current consumption [mA]	< 50
Protection class	III
Reverse polarity protection	yes

Outputs

Output function	OUT1: NO / NC programmable or frequency or IO-Link OUT2: NO / NC programmable or analogue
Current rating [mA]	2 x 150; 2 x 200 (...60 °C); 2 x 250 (...40 °C)
Voltage drop [V]	< 2
Short-circuit protection	yes
Overload protection	yes
Analog output	4...20 mA
Max. load [Ω]	500
Frequency range [Hz]	0...10000

Measuring / setting range

Flow monitoring		
Measuring range	1...50 [l/min]	0.06...3 [m ³ /h]
Display range	0...60 [l/min]	0...3.6 [m ³ /h]
Resolution	0.5 [l/min]	0.01 [m ³ /h]
Set point, SP	0.5...50 [l/min]	0.02...3 [m ³ /h]

SBG234

SBG12IF0FRKG

Flow sensors

Reset point, rP	0...49.5 [l/min]	0...2.98 [m ³ /h]
Frequency end point, FEP	3.5...50 [l/min]	0.2...3 [m ³ /h]
in steps of	0.5 [l/min]	0.01 [m ³ /h]
Frequency at the end point, FrP [Hz]	10...10000	
in steps of	10 Hz	
Measuring dynamics	1:50	
Temperature monitoring		
Measuring range [°C]	-10...100	
Display range [°C]	-32...122	
Resolution [°C]	1	
Set point, SP [°C]	-9...100	
Reset point, rP [°C]	-10...99	
Frequency start point, FSP [°C]	-10...78	
Frequency end point, FEP [°C]	12...100	
in steps of [°C]	1	
Frequency at the end point, FrP [Hz]	10...10000	

Accuracy / deviations

Flow monitoring

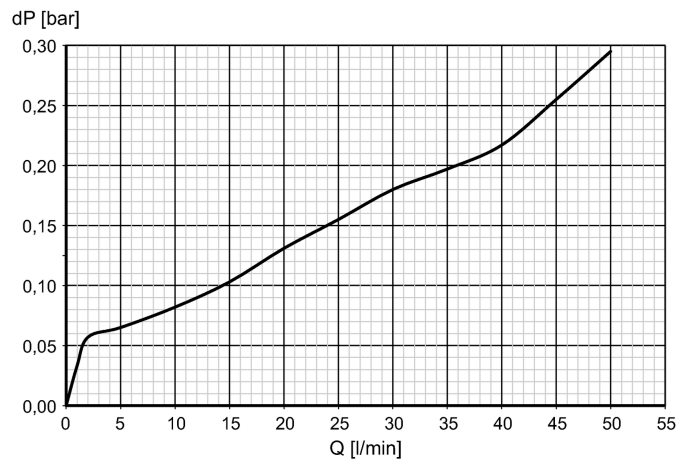
Accuracy [% of the final value]

$\pm (4 \% MW + 1 \% MEW)$;
 $Q > 1 \text{ l/min}$, medium and ambient temperature $+22 \text{ °C} \pm 4 \text{ K}$

Repeatability

$\pm 1 \% MEW$

Pressure loss (dP) / flow rate (Q)



Temperature monitoring

Accuracy [K]

3 K (25°C; $Q > 1 \text{ l/min}$)

Temperature drift

0.029 °C / K

Reaction times

Power-on delay time [s]

< 3

Flow monitoring

Response time [s]

0.01

Damping for the switching output (dAP) [s]

0...5

Damping for the analog output (dAA) [s]

0...5

in steps of

0.1 s

Temperature monitoring

Response time [s]

T09 = 120 ($Q > 1 \text{ l/min}$)

SBG234

SBG12IF0FRKG

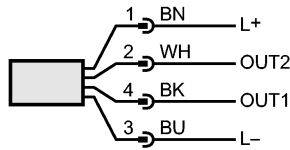
Flow sensors

Software / programming	
Programming options	Hysteresis/window; NO/NC; switching logic; current / frequency output; fluid selection, damping switching/analogue output, display can be rotated/switched off; standard unit of measurement/colour process value
Interfaces	
IO-Link Device	
Transfer type	COM2 (38.4 kBaud)
IO-Link revision	1.1
SDCI standard	IEC 61131-9 CDV
IO-Link Device ID	562 d / 0232 h
Profiles	Smart Sensor: Process Data Variable; Device Identification
SIO mode	yes
Required master port class	A
Process data analogue	2
Process data binary	2
Min. process cycle time [ms]	5
Environment	
Ambient temperature [°C]	0...60, at max. 80 °C medium temperature (0...40 °C at max. 100 °C medium temperature)
Storage temperature [°C]	-15...80
Protection	IP 65 / IP 67
Tests / approvals	
Pressure equipment directive	sound engineering practice
EMC	DIN EN 61000-6-2 DIN EN 61000-6-3
Shock resistance	DIN EN 60068-2-27 20 g (11 ms)
Vibration resistance	DIN EN 60068-2-6 5 g (10...2000 Hz)
MTTF [Years]	145
UL approval number	I005
Mechanical data	
Process connection	G ½
Materials (wetted parts)	stainless steel 316 / 1.4401; stainless steel 316L / 1.4404; brass (2.0371); brass chemically nickel-plated; PPS; O-ring: FKM
Housing materials	stainless steel 316L / 1.4404; PBT+PC-GF 30; PBT-GF 20; PC; brass chemically nickel-plated
Weight [kg]	0.73
Switching cycles min.	10 million
Displays / operating elements	
Display	Display unit 3 x LED green Switching status 2 x LED yellow 4-digit alphanumeric display / alternating indication Measured values of red and green Programming 4-digit alphanumeric display
Electrical connection	
Connection	M12 connector; gold-plated contacts
Wiring	

SBG234

SBG12IF0FRKG

Core colors
 BK black
 BN brown
 BU blue
 WH white



OUT1:

- switching output flow rate monitoring
- switching output temperature monitoring
- frequency output flow rate monitoring
- frequency output temperature monitoring
- IO-Link

OUT2:

- switching output flow rate monitoring
- switching output temperature monitoring
- analogue output flow rate
- analogue output temperature

 Colours to DIN EN 60947-5-2

Remarks

Remarks	Use of 200 micron filtration is recommended. All data refer to water (20 °C). MW = measured value MEW = final value of the measuring range
---------	---

Pack quantity	[piece]	1
---------------	---------	---