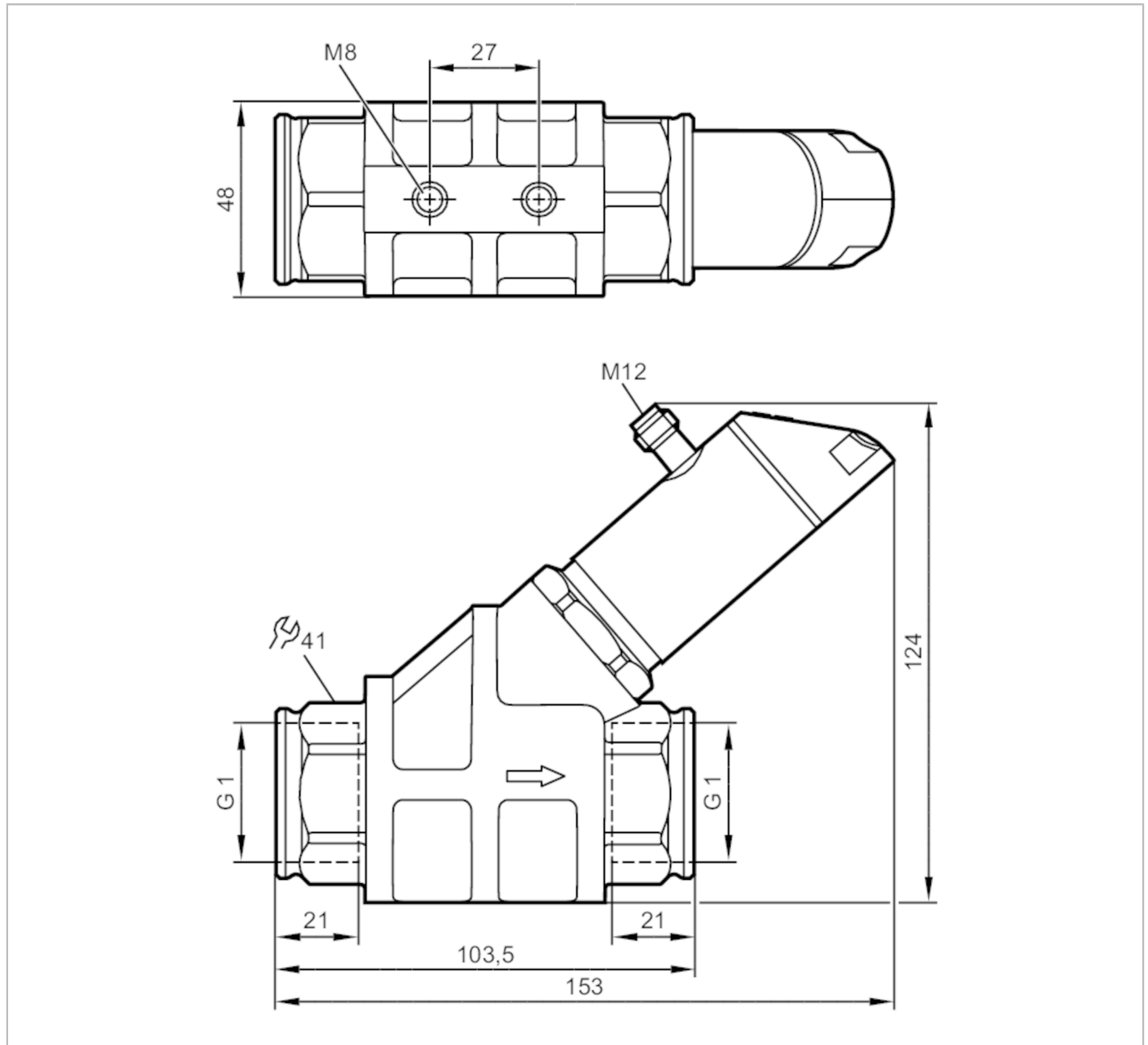


SB3244



Flow meter with fast response and display

SBG11KL0FRKG



Product characteristics				
Measuring range	1...50 l/min	0.06...3 m ³ /h	16...793 gph	0.26...13.2 gpm
Process connection	threaded connection G 1 Internal thread			
Application				
System	gold-plated contacts			
Media	Liquids; oils (viscosity 68 mm ² /s at 40 °C)			
Medium temperature	[°C]	-10...100		
Pressure rating	[bar]	100		
Pressure rating	[Mpa]	10		
Note on pressure rating	at medium temperature >70°C: 80 bar / 8 MPa			

SB3244



Flow meter with fast response and display

SBG11KL0FRKG

Electrical data					
Operating voltage	[V]	18...30 DC; (to SELV/PELV)			
Current consumption	[mA]	< 50			
Protection class		III			
Reverse polarity protection		yes			
Power-on delay time	[s]	< 3			
Outputs					
Total number of outputs		2			
Output signal		switching signal; analog signal; frequency signal; IO-Link			
Output function		normally open / closed; (configurable)			
Max. voltage drop switching output DC	[V]	2			
Max. current load per output	[mA]	150; (200: ...60 °C; Ambient temperature; 250: ...40 °C; Ambient temperature)			
Analog current output	[mA]	4...20			
Max. load	[Ω]	500			
Short-circuit protection		yes			
Overload protection		yes			
Frequency of the output	[Hz]	0...10000			
Measuring/setting range					
Measuring range		1...50 l/min	0.06...3 m³/h	16...793 gph	0.26...13.2 gpm
Display range		0...60 l/min	0...3.6 m³/h	0...951 gph	0...15.86 gpm
Resolution		0.01 l/min	0.001 m³/h	1 gph	0.01 gpm
Set point SP		0.35...50 l/min	0.02...3 m³/h	5...793 gph	0.08...13.2 gpm
Reset point rP		0...49.65 l/min	0...2.98 m³/h	0...787 gph	0...13.12 gpm
Frequency end point, FEP		3.35...50 l/min	0.2...3 m³/h	53...793 gph	0.88...13.2 gpm
In steps of		0.05 l/min	0.005 m³/h	1 gph	0.02 gpm
Frequency at the end point FRP	[Hz]	10...10000			
In steps of	[Hz]	10			
Measuring dynamics		1:50			
In steps of		10 Hz			
Temperature monitoring					
Measuring range		-10...100 °C		14...212 °F	
Display range		-32...122 °C		-25.6...251.6 °F	
Resolution		0.1 °C		0.1 °F	
Set point SP		-9.3...100 °C		15.2...212 °F	
Reset point rP		-10...99.3 °C		14...210.8 °F	
In steps of		0.1 °C		0.2 °F	
Frequency start point, FSP		-10...78 °C		14...172.4 °F	
Frequency end point, FEP		12...100 °C		53.6...212 °F	
Frequency at the end point FRP	[Hz]	10...10000			



Flow meter with fast response and display

SBG11KL0FRKG

Accuracy / deviations					
Flow monitoring					
Accuracy (in the measuring range)	± 5 % MEW; (Q > 1 l/min; 20...70 °C Medium temperature)				
Repeatability	± 1 % MEW				
Temperature monitoring					
Temperature drift	0,029 °C / K				
Accuracy [K]	3 K (25°C; Q > 1 l/min)				
Reaction times					
Flow monitoring					
Response time [s]	0.01				
Damping process value dAP [s]	0...5				
In steps of [s]	0.1				
Damping for the analog output dAA [s]	0...5				
In steps of [s]	0.1				
Temperature monitoring					
Dynamic response T05 / T09 [s]	T09 = 120 (Q > 1 l/min)				
Software / programming					
Parameter setting options	hysteresis / window; normally open / closed; switching logic; current/frequency output; damping for the switching output / analog output; display can be rotated and switched off; standard unit of measurement; process value color; calibration factor				
Interfaces					
Communication interface	IO-Link				
Transmission type	COM2 (38,4 kBaud)				
IO-Link revision	1.1				
SDCI standard	IEC 61131-9 CDV				
Profiles	Smart Sensor: Process Data Variable; Device Identification, Device Diagnosis				
SIO mode	yes				
Required master port class	A				
Process data analog	2				
Process data binary	2				
Min. process cycle time [ms]	3.2				
Supported DeviceIDs	<table border="1"> <thead> <tr> <th>Type of operation</th> <th>DeviceID</th> </tr> </thead> <tbody> <tr> <td>default</td> <td>1045</td> </tr> </tbody> </table>	Type of operation	DeviceID	default	1045
Type of operation	DeviceID				
default	1045				
Operating conditions					
Ambient temperature [°C]	0...60				
Note on ambient temperature	medium temperature < 80 °C medium temperature < 100 °C: 0...40 °C				
Storage temperature [°C]	-15...80				
Protection	IP 65; IP 67				

SB3244



Flow meter with fast response and display

SBG11KL0FRKG

Tests / approvals		
EMC	DIN EN 61000-6-2	
	DIN EN 61000-6-3	
Shock resistance	DIN EN 60068-2-27	20 g (11 ms)
Vibration resistance	DIN EN 60068-2-6	5 g (10...2000 Hz)
MTTF [years]	145	
UL approval	UL approval number	I006
Pressure equipment directive	sound engineering practice	

Mechanical data		
Weight [g]	1583	
Material	stainless steel (1.4404 / 316L); PBT+PC-GF30; PBT-GF20; PC; brass chemically nickel-plated	
Materials (wetted parts)	stainless steel (1.4401 / 316); stainless steel (1.4404 / 316L); brass (2.0371); brass chemically nickel-plated; PPS; O-ring: FKM	
Process connection	threaded connection G 1 Internal thread	
Switching cycles mechanical	10 million	

Displays / operating elements		
Display	Display unit	6 x LED, green
	Switching status	2 x LED, yellow
	Measured values	alphanumeric display, red/green alternating indication 4-digit
	Programming	alphanumeric display, 4-digit

Remarks		
Remarks	Use of 200 micron filtration is recommended.	
	All data refer to oil with the following nominal viscosity:	
	68 mm ² /s, 40 °C	
	MW = Measured value	
Pack quantity	MEW = Final value of the measuring range	
	1 pcs.	

Electrical connection

Connector: 1 x M12; coding: A; Contacts: gold-plated



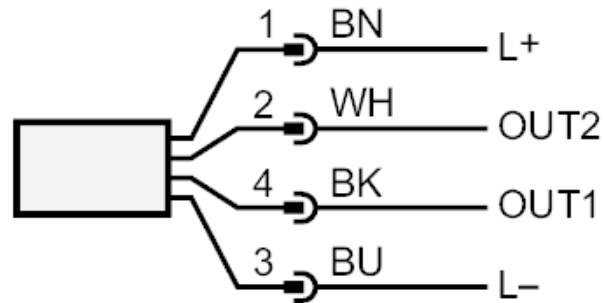
SB3244



Flow meter with fast response and display

SBG11KL0FRKG

Connection



OUT1:

- Switching output Volumetric flow quantity monitoring
- Switching output Temperature monitoring
- Frequency output Volumetric flow quantity monitoring
- Frequency output Temperature monitoring
- IO-Link

OUT2:

- Switching output Volumetric flow quantity monitoring
- Switching output Temperature monitoring
- analog output Volumetric flow quantity monitoring
- analog output Temperature monitoring

Colors to DIN EN 60947-5-2

Core colors :

- BK = black
- BN = brown
- BU = blue
- WH = white

SB3244



Flow meter with fast response and display

SBG11KL0FRKG

Diagrams and graphs

