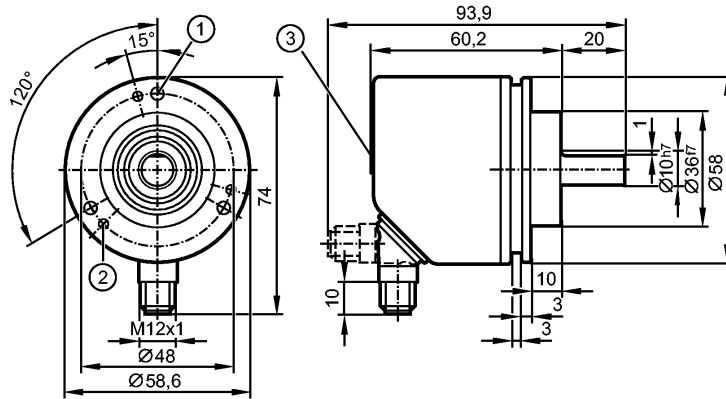


RVP510

INCREMENTAL ENCODER PERFORMANCE LINE

Encoders



- 1: M4 x 0.7 6 mm deep
- 2: M3 x 0.5 6 mm deep
- 3: display

CE IO-Link

Product characteristics

Solid shaft encoder

HTL, TTL 50 mA

Quick disconnect

display

Magnetic detection system

Clamping flange

Resolution 1...10000

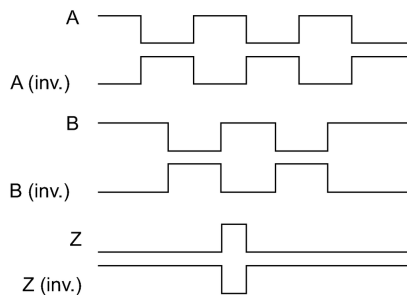
Application

Application encoder - speed monitor - counter function

Electrical data

Operating voltage [V]	4.75...30 DC
Current consumption [mA]	< 350
Max. permissible rpm / elec. [1/min]	12000
Phase difference A und B [°]	90
Switching frequency [kHz]	1000
Reverse polarity protection	yes
Short-circuit protection	yes
Protection class	III

Pulse diagram



Direction of rotation clockwise (looking at the shaft)

Outputs

Output function HTL, TTL 50 mA

Measuring / setting range

RVP510

INCREMENTAL ENCODER PERFORMANCE

LINE

Encoders

Resolution	programmable, factory setting 1024	
Speed monitor		
Set point, SP	-9994...9999 [1/perc]	-166.6...166.7 [Hz]
Reset point, rP	-9999...9994 [1/perc]	-166.7...166.6 [Hz]
Counter		
Preset point	1...9999	

Accuracy / deviations

Accuracy	< 0.1
----------	-------

Software / programming

Programming options	encoder: Resolution, rotational direction, HTL, TTL; Speed monitor; Resolution
---------------------	--

Interfaces

IO-Link Device	
Transfer type	COM 2
IO-Link revision	V1.1
SIO mode	yes
Min. process cycle time [ms]	2.3

Mechanical data

Max. permissible rpm / mech. [1/min]	12000
Starting torque [Ncm]	< 1 (20 °C)
Max. shaft load (at the shaft end) [N]	axial 40; radial 60
Shaft, material [mm]	Ø 10, stainless steel
Vibration resistance	30 g
Shock resistance	200 g
Housing materials	flange: aluminum; housing: stainless steel 444/1.4521; connector: stainless steel 316/1.4401; display window: PEI
Weight [kg]	0.442

Environment

Max. relative air humidity [%]	95, Condensation not permissible
Ambient temperature [°C]	-40...85
Storage temperature [°C]	-40...85
Protection	IP 65; IP 67 (housing); IP 64 (shaft)

Tests / approvals

MTTF [Years]	218.3
--------------	-------

Displays / operating elements

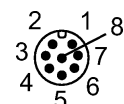
Display	4-digit 10-segment display red/green programmable 2 LEDs yellow 6 LEDs green (5 active)
---------	---

Electrical connection

Connection	M12 connector; radial, can also be used axially; 8 pole
Max. cable length [m]	100

Wiring

IO-Link:		preset counter:	
1:	L+	1:	UB
2:	not to be used	2:	IN1
3:	L-	3:	GND





RVP510

INCREMENTAL ENCODER PERFORMANCE LINE

4:	IO-Link	4:	not to be used
5:	not to be used	5:	OUT1
6:	not to be used	6:	not to be used
7:	not to be used	7:	not to be used
8:	not to be used	7:	not to be used
screen:	plug	8:	not to be used
encoder:		screen:	plug
1:	UB	Speed monitor:	
2:	A	1:	UB
3:	GND	2:	OUT2
4:	Z/0-Pulse (90 deg)	3:	GND
5:	B	4:	not to be used
6:	A-	5:	OUT1
7:	B-	6:	OUT2-
8:	Z-	7:	OUT1-
screen:	plug	8:	not to be used
		screen:	plug

Remarks

Pack quantity [piece] 1