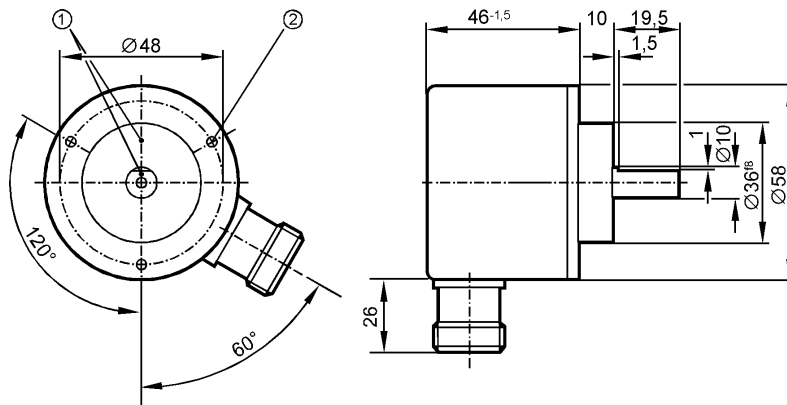


RV6153

RV-0750-I24/S E

Encoders

Article discontinued as of 31.March 2016



1: reference mark
2: M4 5 mm deep



Product characteristics

Solid shaft encoder

TTL output 20 mA

flange plug

Resolution 750

Electrical data

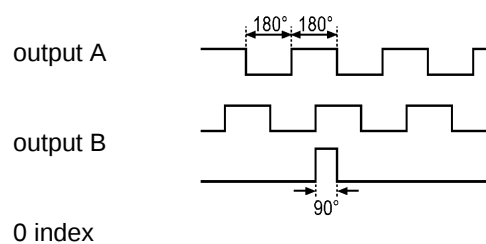
Operating voltage [V] 10...30 DC

Current consumption [mA] 150

Phase difference A und B [°] 90

Switching frequency [kHz] 160

Pulse diagram



Outputs

Output function TTL output 20 mA

Measuring / setting range

Encoders

Resolution 750

Mechanical data

Max. permissible rpm / mech. [1/min] 12000

Starting torque [Ncm] < 1 (20 °C)

Max. shaft load (at the shaft end) [N] axial 10; radial 20

Shaft, material [mm] Ø 10, steel (1.4104)

Vibration resistance 15 g (55...2000 Hz)

Shock resistance 100 g (6 ms)

Housing materials aluminum

RV6153

RV-0750-I24/S E

Encoders

Weight	[kg]	0.4
--------	------	-----

Environment

Max. relative air humidity	[%]	max. 98
Ambient temperature	[°C]	-30...85
Protection		IP 67; IP 66 (shaft entry); IP 67 (housing)

Tests / approvals

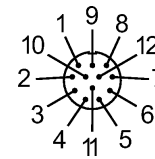
MTTF	[Years]	190
------	---------	-----

Electrical connection

Connection		M23 flange plug; radial; ifm 1001.4
------------	--	-------------------------------------

Wiring

- | | |
|-------------------|-----------------|
| 1: B (inv.) | 8: B |
| 2: L+ (sensor) | 9: n.c. |
| 3: 0 index | 10: 0V |
| 4: 0 index (inv.) | 11: 0V (sensor) |
| 5: A | 12: L+ |
| 6: A (inv.) | |
| 7: error (inv.) | |



Remarks

Pack quantity	[piece]	1
---------------	---------	---

ifm efector, inc. • 1100 Atwater Drive • Malvern • PA 19355 — We reserve the right to make technical alterations without prior notice. — US — RV6153 — 01.09.2010

Article discontinued as of 31.March 2016