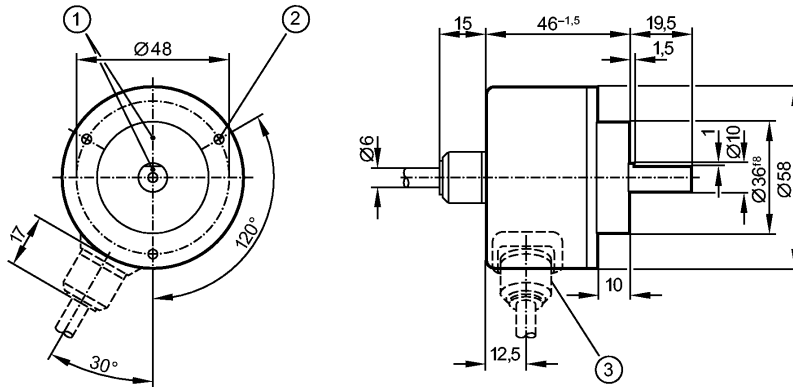


RV6145

RV-2000-I24/L6

Encoders

Article discontinued as of 31.March 2016



1: reference mark
2: M3 5 mm deep



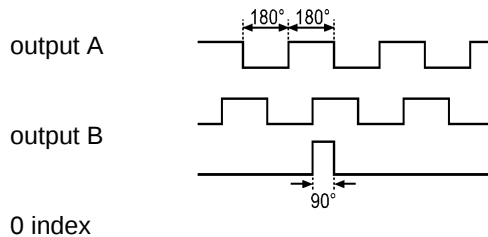
Product characteristics

Solid shaft encoder
HTL-output 50 mA, short-circuit protected, < 1 min
Resolution 2000

Electrical data

| | |
|------------------------------|------------|
| Operating voltage [V] | 10...30 DC |
| Current consumption [mA] | 150 |
| Phase difference A und B [°] | 90 |
| Switching frequency [kHz] | 300 |

Pulse diagram



Outputs

Output function HTL-output 50 mA, short-circuit protected, < 1 min

Measuring / setting range

Encoders
Resolution 2000

Mechanical data

| | |
|--|----------------------|
| Max. permissible rpm / mech. [1/min] | 12000 |
| Starting torque [Ncm] | < 1 (20 °C) |
| Max. shaft load (at the shaft end) [N] | axial 10; radial 20 |
| Shaft, material [mm] | Ø 10, steel (1.4104) |
| Vibration resistance | 10 g (55...2000 Hz) |
| Shock resistance | 100 g (6 ms) |
| Housing materials | aluminum |
| Weight [kg] | 0.734 |

Environment



RV6145

RV-2000-I24/L6

| | | |
|---------------------|------|-----------------------------|
| Ambient temperature | [°C] | -30...85, firmly laid cable |
| Storage temperature | [°C] | -30...100 |
| Protection | | IP 64 |

Electrical connection

| | | |
|------------|--|------------------------|
| Connection | | PUR cable / 6 m; axial |
|------------|--|------------------------|

Wiring

| | |
|--------------|----------------|
| brown: | A |
| green: | A (inv.) |
| grey: | B |
| pink: | B (inv.) |
| red: | 0 index |
| black: | 0 index (inv.) |
| blue: | L+ (sensor) |
| white: | 0V (sensor) |
| brown/green: | L+ (Up) |
| white/green: | 0V (Un) |
| lilac: | error (inv.) |
| screen: | housing |

Remarks

| | | |
|---------------|---------|---|
| Pack quantity | [piece] | 1 |
|---------------|---------|---|

ifm efector, inc. • 1100 Atwater Drive • Malvern • PA 19355 — We reserve the right to make technical alterations without prior notice. — US — RV6145 — 01.09.2010

Article discontinued as of 31.March 2016