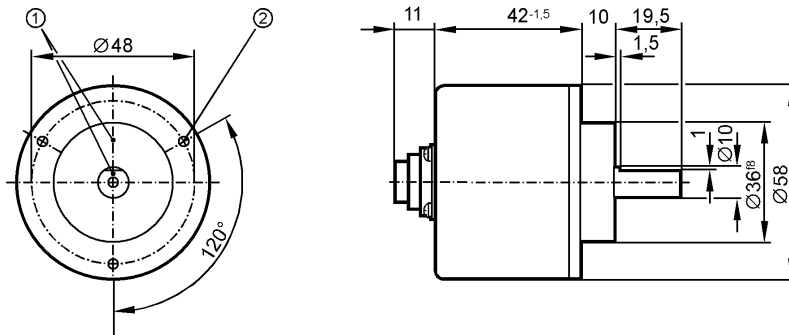


no longer available - archive entry

Discontinued article



1: reference mark
2: M3 5 mm deep



Product characteristics

Solid shaft encoder

HTL-output 50 mA, short-circuit protected, < 1 min

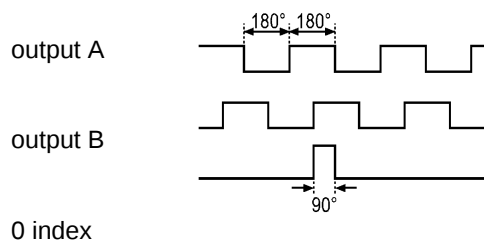
Quick disconnect

Resolution 100

Electrical data

Operating voltage	[V]	10...30 DC
Current consumption	[mA]	150
Phase difference A und B	[°]	90
Switching frequency	[kHz]	300

Pulse diagram



Outputs

Output function HTL-output 50 mA, short-circuit protected, < 1 min

Measuring / setting range

Encoders

Resolution 100

Mechanical data

Max. permissible rpm / mech. [1/min]	12000
Starting torque [Ncm]	< 1 (20 °C)
Max. shaft load (at the shaft end) [N]	axial 10; radial 20
Shaft, material [mm]	Ø 10, steel (1.4104)
Vibration resistance	10 g (58...2000 Hz)
Shock resistance	100 g (11 ms)
Housing materials	aluminum



RV6092

RV-0100-I24/S

Weight	[kg]	0.044
--------	------	-------

Environment

Max. relative air humidity	[%]	98
Ambient temperature	[°C]	-20...70
Storage temperature	[°C]	-30...100
Protection		IP 64

Tests / approvals

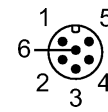
MTTF	[Years]	190
------	---------	-----

Electrical connection

Connection	flange plug; axial; 6-pole
------------	----------------------------

Wiring

- 1: L+
- 2: A
- 3: screen housing
- 4: B
- 5: 0 index
- 6: 0V



Remarks

Pack quantity	[piece]	1
---------------	---------	---

ifm efector, inc. • 1100 Atwater Drive • Malvern • PA 19355 — We reserve the right to make technical alterations without prior notice. — US — RV6092 — 25.07.2011

no longer available - archive entry

Discontinued article