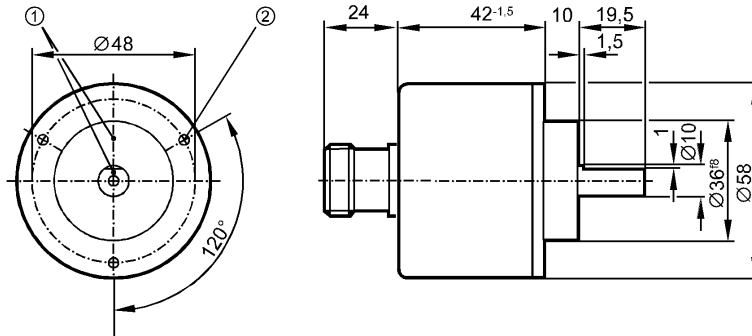


Article discontinued as of 31.March 2016



1: reference mark
2: M3 5 mm deep



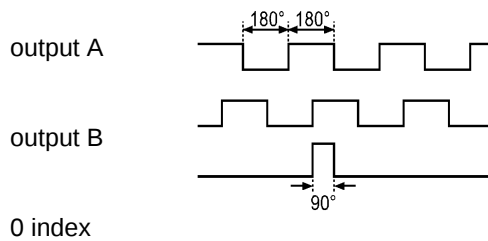
Product characteristics

Solid shaft encoder
HTL-output 50 mA, short-circuit protected, < 1 min
Quick disconnect
Resolution 5000

Electrical data

Operating voltage [V]	10...30 DC
Current consumption [mA]	150
Phase difference A und B [°]	90
Switching frequency [kHz]	160

Pulse diagram



Outputs

Output function HTL-output 50 mA, short-circuit protected, < 1 min

Measuring / setting range

Encoders
Resolution 5000

Mechanical data

Max. permissible rpm / mech. [1/min]	12000
Starting torque [Ncm]	< 1 (20 °C)
Max. shaft load (at the shaft end) [N]	axial 10; radial 20
Shaft, material [mm]	Ø 10, steel (1.4104)
Vibration resistance	15 g (55...2000 Hz)
Shock resistance	100 g (6 ms)
Housing materials	aluminum



RV6068

RV-5000-I24/J

Weight	[kg]	0.385
--------	------	-------

Environment

Max. relative air humidity	[%]	max. 98
Ambient temperature	[°C]	-30...85
Storage temperature	[°C]	-30...100
Protection		IP 64

Tests / approvals

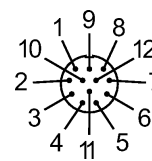
MTTF	[Years]	190
------	---------	-----

Electrical connection

Connection	M23 flange plug; axial; ifm 1001.4
------------	------------------------------------

Wiring

- | | |
|-------------------|----------|
| 1: B (inv.) | 8: B |
| 2: n.c. | 9: n.c. |
| 3: 0 index | 10: 0V |
| 4: 0 index (inv.) | 11: n.c. |
| | 12: L+ |
| 5: A | |
| 6: A (inv.) | |
| 7: error (inv.) | |



Remarks

Pack quantity	[piece]	1
---------------	---------	---

ifm efector, inc. • 1100 Atwater Drive • Malvern • PA 19355 — We reserve the right to make technical alterations without prior notice. — US — RV6068 — 01.09.2010

Article discontinued as of 31.March 2016