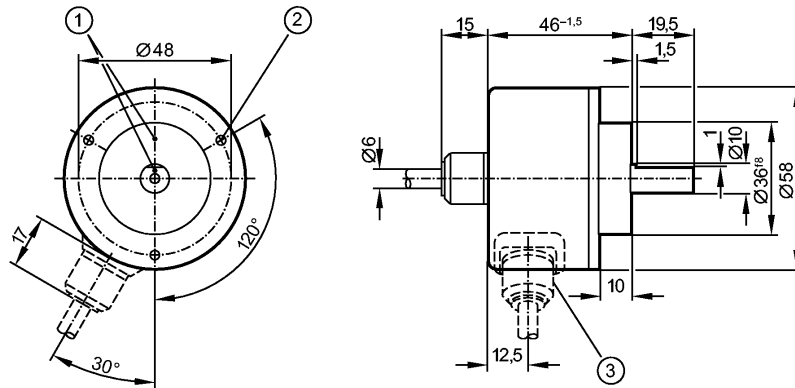


RV6002

RV-0060-I24/L2

Encoders

Alternative article: RV3500
When selecting an alternative article and accessories please note that technical data may differ!



1: reference mark
 2: M3 5 mm deep



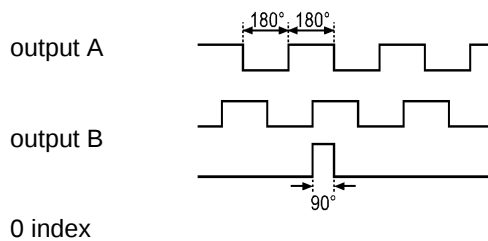
Product characteristics

Solid shaft encoder
HTL-output 50 mA, short-circuit protected, < 1 min
Cable
Resolution 60

Electrical data

Operating voltage [V]	10...30 DC
Current consumption [mA]	150
Phase difference A und B [°]	90
Switching frequency [kHz]	300

Pulse diagram



Outputs

Output function	HTL-output 50 mA, short-circuit protected, < 1 min
-----------------	--

Measuring / setting range

Encoders	
Resolution	60

Mechanical data

Max. permissible rpm / mech. [1/min]	12000
Starting torque [Ncm]	< 1 (20 °C)
Max. shaft load (at the shaft end) [N]	axial 10; radial 20
Shaft, material [mm]	Ø 10, steel (1.4104)
Vibration resistance	10 g (55...2000 Hz)
Shock resistance	100 g (6 ms)
Housing materials	aluminum



RV6002

RV-0060-I24/L2

Weight	[kg]	0.044
Environment		
Max. relative air humidity	[%]	max. 98
Ambient temperature	[°C]	-30...85 *)
Storage temperature	[°C]	-30...100
Protection		IP 64
Tests / approvals		
MTTF	[Years]	190
Electrical connection		
Connection		PUR cable / 2 m; axial
Wiring		
brown:	A	
green:	A (inv.)	
grey:	B	
pink:	B (inv.)	
red:	0 index	
black:	0 index (inv.)	
blue:	L+ (sensor)	
white:	0V (sensor)	
brown/green:	L+ (Up)	
white/green:	0V (Un)	
lilac:	error (inv.)	
screen:	housing	
Remarks		
Pack quantity	[piece]	1

ifm efector, inc. • 1100 Atwater Drive • Malvern • PA 19355 — We reserve the right to make technical alterations without prior notice. — US — RV6002 — 01.09.2010

Alternative article: RV3500

When selecting an alternative article and accessories please note that technical data may differ!