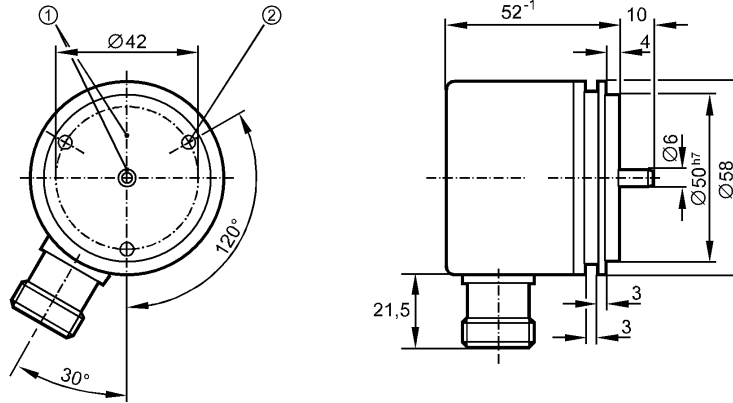


**no longer available - archive entry**

**Article discontinued as of 31.March 2016**



1: reference mark  
2: M4 5 mm deep



**Product characteristics**

Solid shaft encoder

HTL-output 50 mA, short-circuit protected, < 1 min

flange plug

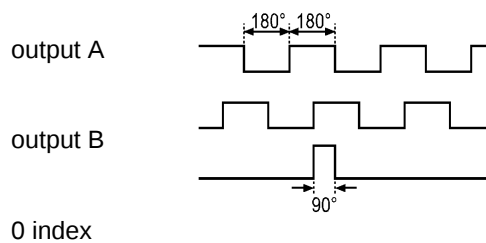
Synchro-flange

Resolution 48

**Electrical data**

Operating voltage [V]	10...30 DC
Current consumption [mA]	150
Phase difference A und B [°]	90
Switching frequency [kHz]	300

Pulse diagram



**Outputs**

Output function HTL-output 50 mA, short-circuit protected, < 1 min

**Measuring / setting range**

Encoders

Resolution 48

**Mechanical data**

Max. permissible rpm / mech. [1/min]	12000
Starting torque [Ncm]	< 1 (20 °C)
Max. shaft load (at the shaft end) [N]	axial 10; radial 20
Shaft, material [mm]	Ø 6, steel (1.4104)
Vibration resistance	15 g (55...2000 Hz)

## RU6168

RU-0048-I24/K

Shock resistance	100 g (6 ms)
Housing materials	aluminum
Weight [kg]	0.418

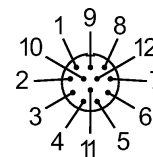
Environment	
Max. relative air humidity [%]	max. 98
Ambient temperature [°C]	-30...85
Storage temperature [°C]	-30...100
Protection	IP 64

Tests / approvals	
MTTF [Years]	190

Electrical connection	
Connection	M23 flange plug; radial; ifm 1001.4

### Wiring

1: B (inv.)      7: error  
 2: L+            (inv.)  
    (sensor)    8: B  
 3: 0 index      9: n.c.  
 4: 0 index      10: 0V (Un)  
    (inv.)        11: 0V  
 5: A              (sensor)  
 6: A (inv.)      12: L+  
 screen: housing



Remarks	
Pack quantity [piece]	1

ifm efector, inc. • 1100 Atwater Drive • Malvern • PA 19355 — We reserve the right to make technical alterations without prior notice. — US — RU6168 — 01.09.2010

**no longer available - archive entry**

**Article discontinued as of 31.March 2016**