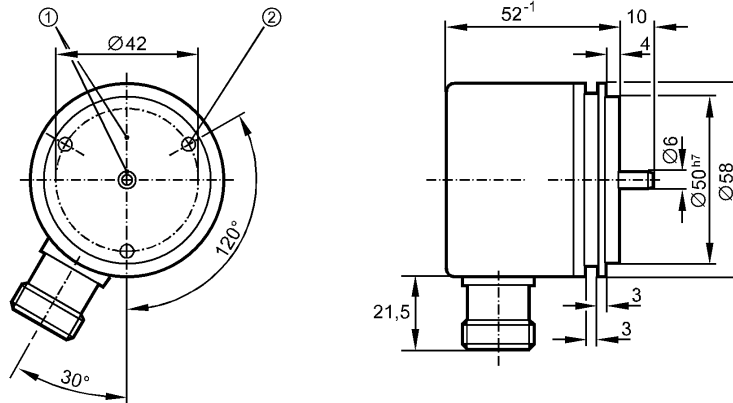


RU6069

RU-1000-I24/K

no longer available - archive entry

Article discontinued as of 31.March 2016



1: reference mark
2: M4 5 mm deep



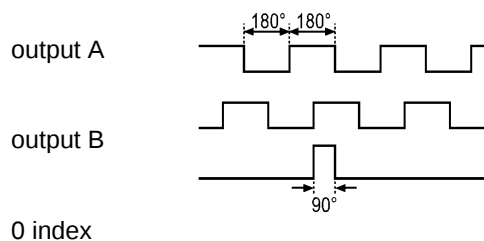
Product characteristics

Solid shaft encoder
HTL-output 50 mA, short-circuit protected, < 1 min
flange plug
Synchro-flange
Resolution 1000

Electrical data

Operating voltage	[V]	10...30 DC
Current consumption	[mA]	150
Phase difference A und B	[°]	90
Switching frequency	[kHz]	300

Pulse diagram



Outputs

Output function HTL-output 50 mA, short-circuit protected, < 1 min

Measuring / setting range

Encoders
Resolution 1000

Mechanical data

Max. permissible rpm / mech. [1/min]	12000
Starting torque [Ncm]	< 1 (20 °C)
Max. shaft load (at the shaft end) [N]	axial 10; radial 20
Shaft, material [mm]	Ø 6, steel (1.4104)
Vibration resistance	15 g (55...2000 Hz)

RU6069

RU-1000-I24/K

Shock resistance	100 g (6 ms)
Housing materials	aluminum
Weight [kg]	0.42

Environment

Max. relative air humidity [%]	max. 98
Ambient temperature [°C]	-30...85
Storage temperature [°C]	-30...100
Protection	IP 64

Tests / approvals

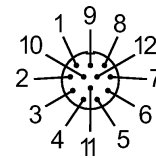
MTTF [Years]	190
--------------	-----

Electrical connection

Connection	M23 flange plug; radial; ifm 1001.4
------------	-------------------------------------

Wiring

1: B (inv.) 7: error
 2: L+ (inv.)
 (sensor) 8: B
 3: 0 index 9: n.c.
 4: 0 index 10: 0V (Un)
 (inv.) 11: 0V
 5: A (sensor)
 6: A (inv.) 12: L+
 screen: housing



Remarks

Pack quantity [piece]	1
-----------------------	---

ifm efector, inc. • 1100 Atwater Drive • Malvern • PA 19355 — We reserve the right to make technical alterations without prior notice. — US — RU6069 — 01.09.2010

no longer available - archive entry

Article discontinued as of 31.March 2016