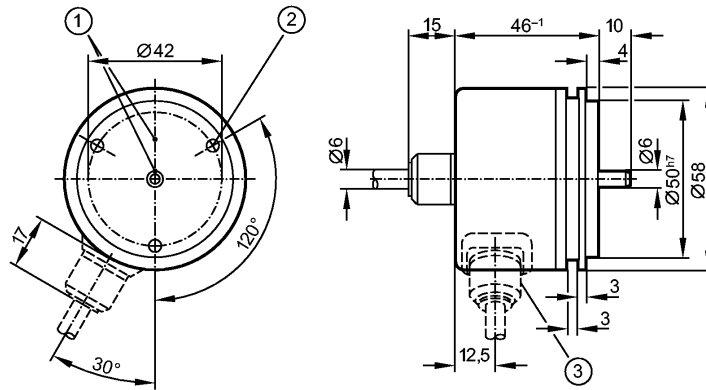


**Alternative article: RUP500 + E12402**  
**When selecting an alternative article and accessories please note that technical data may differ!**



1: reference mark  
 2: M4 5 mm deep



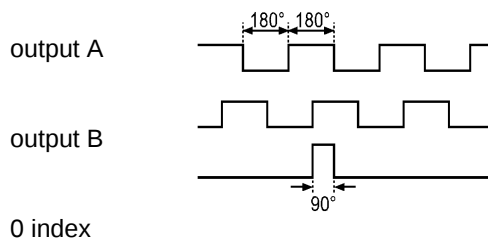
**Product characteristics**

Solid shaft encoder	
HTL-output 50 mA, short-circuit protected, < 1 min	
Cable	
Synchro-flange	
Resolution 6000	

**Electrical data**

Operating voltage	[V]	10...30 DC
Current consumption	[mA]	150
Phase difference A und B	[°]	90
Switching frequency	[kHz]	300

Pulse diagram



**Outputs**

Output function	HTL-output 50 mA, short-circuit protected, < 1 min
-----------------	--

**Measuring / setting range**

Encoders	
Resolution	6000

**Mechanical data**

Max. permissible rpm / mech. [1/min]	12000
Starting torque [Ncm]	< 1 (20 °C)
Max. shaft load (at the shaft end) [N]	axial 10; radial 20
Shaft, material [mm]	Ø 6, steel (1.4104)
Vibration resistance	10 g (55...2000 Hz)
Shock resistance	100 g (6 ms)



## RU6046

RU-6000-I24/L2

Housing materials	aluminum
Weight [kg]	0.49

Environment	
Max. relative air humidity [%]	max. 98
Ambient temperature [°C]	-30...85, -30 °C for firmly laid cable
Storage temperature [°C]	-30...100
Protection	IP 64

Tests / approvals	
MTTF [Years]	190

Electrical connection	
Connection	PUR cable / 2 m; axial

### Wiring

brown: A  
 green: A (inv.)  
 grey: B  
 pink: B (inv.)  
 red: 0 index  
 black: 0 index (inv.)  
 blue: L+ (sensor)  
 white: 0V (sensor)  
 brown/green: L+ (Up)  
 white/green: 0V (Un)  
 lilac: error (inv.)  
 screen: housing

Remarks	
Pack quantity [piece]	1

ifm efector, inc. • 1100 Atwater Drive • Malvern • PA 19355 — We reserve the right to make technical alterations without prior notice. — US — RU6046 — 01.09.2010

**Alternative article: RUP500 + E12402**

**When selecting an alternative article and accessories please note that technical data may differ!**