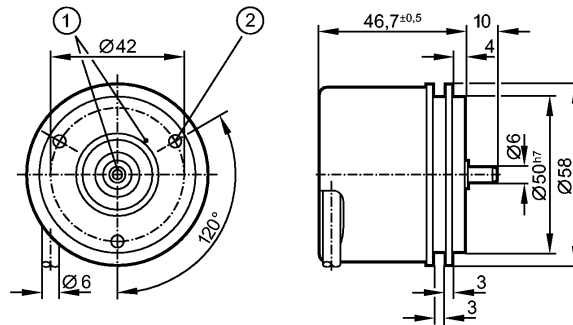


RU6045

RU-5000-I24/L2

Encoders

Alternative article: RUP500 + E12402
When selecting an alternative article and accessories please note that technical data may differ!



1: reference mark
 2: M4 5 mm deep

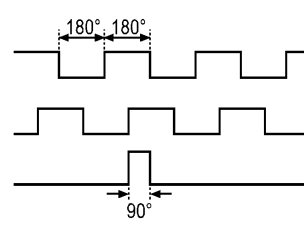
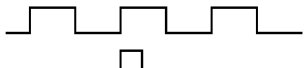
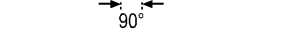


Product characteristics

Solid shaft encoder	
HTL-output 50 mA, short-circuit protected, < 1 min	
Cable	
Synchro-flange	
6 signals	
Resolution 5000	

Electrical data

Operating voltage	[V]	10...30 DC
Current consumption	[mA]	< 150
Phase difference A und B	[°]	90
Switching frequency	[kHz]	300

Pulse diagram	<div style="display: flex; align-items: center;"> <div style="margin-right: 20px;">output A</div>  </div> <div style="display: flex; align-items: center; margin-top: 5px;"> <div style="margin-right: 20px;">output B</div>  </div> <div style="display: flex; align-items: center; margin-top: 5px;"> <div style="margin-right: 20px;">0 index</div>  </div>
---------------	--

Outputs

Output function	HTL-output 50 mA, short-circuit protected, < 1 min
-----------------	--

Measuring / setting range

Encoders	
Resolution	5000

Mechanical data

Max. permissible rpm / mech. [1/min]	16000
Starting torque [Ncm]	< 1 (20 °C)
Max. shaft load (at the shaft end) [N]	axial 10; radial 20
Shaft, material [mm]	Ø 6, steel (1.4104)
Vibration resistance	30 g
Shock resistance	200 g



RU6045

RU-5000-I24/L2

Housing materials		aluminum
Weight	[kg]	0.487
Environment		
Max. relative air humidity	[%]	max. 98
Ambient temperature	[°C]	-40...100, -40 °C for firmly laid cable
Protection		IP 64; IP 67 (housing); IP 64 (shaft)
Tests / approvals		
MTTF	[Years]	190
Electrical connection		
Connection		PUR cable / 2 m; radial, can also be used axially
Max. cable length	[m]	300
Wiring		
brown:	A	
green:	A (inv.)	
grey:	B	
pink:	B (inv.)	
red:	0 index	
black:	0 index (inv.)	
blue:	L+ (sensor)	
white:	0V (sensor)	
brown/green:	L+ (Up)	
white/green:	0V (Un)	
lilac:	error (inv.)	
screen:	housing	
Remarks		
Pack quantity	[piece]	1

ifm efector, inc. • 1100 Atwater Drive • Malvern • PA 19355 — We reserve the right to make technical alterations without prior notice. — US — RU6045 — 01.09.2010

Alternative article: RUP500 + E12402

When selecting an alternative article and accessories please note that technical data may differ!