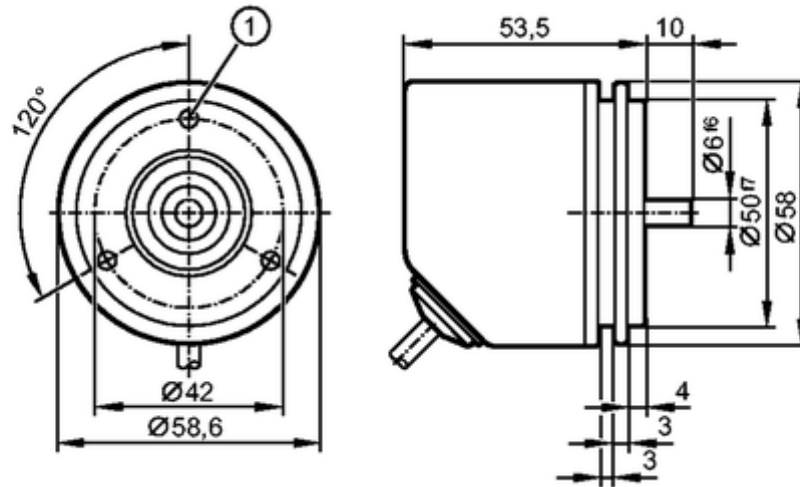


efector 400**Encoders****RU3500****INCREMENTAL ENCODER BASIC LINE**

1: M4 x 0.7 6 mm deep

**Product characteristics**

Solid shaft encoder

HTL, TTL 50 mA

Cable

Synchro-flange

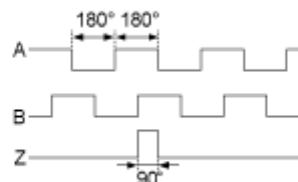
Magnetic detection system

Resolution 1...10000

Electrical data

Operating voltage [V]	4.75...30 DC
Current consumption [mA]	< 150
Max. permissible rpm / elec. [1/min]	12000
Phase difference A und B [°]	90
Switching frequency [kHz]	1000
Reverse polarity protection	yes
Short-circuit protection	yes
Protection class	III

Pulse diagram



Direction of rotation clockwise (looking at the shaft)

Outputs

Output function

HTL, TTL 50 mA

Measuring / setting range**Encoders**Resolution programmable, factory setting 1024**Software / programming**Programming options Resolution, rotational direction, HTL, TTL**Interfaces****IO-Link device**Transfer type COM 2IO-Link revision V1.1SIO mode yesMin. process cycle time [ms] 2.3**Mechanical data**Max. permissible rpm / mech. [1/min] 12000Starting torque [Ncm] < 1 (20 °C)Max. shaft load (at the shaft end) [N] axial 40; radial 60Shaft, material [mm] Ø 6, stainless steelVibration resistance 30 gShock resistance 200 gHousing materials flange: aluminium; housing: stainless steel 444/1.4521; cable plug: polyamideWeight [kg] 0.421**Environment**Max. relative air humidity [%] 95, Condensation not permissibleAmbient temperature [°C] -40...80, -25 °C for flexibly laid cableStorage temperature [°C] -40...80Protection IP 65 / IP 66; IP 67 (housing); IP 64 (shaft)**Tests / approvals**MTTF [Years] 292.2**Electrical connection**Connection PUR cable, screened / 2 m; 5 x 0.14 mm²; Ø 4.9 mm; radial, can also be used axiallyMax. cable length [m] 100**Wiring**

	IO-Link:	
	BN:	L+
	WH:	not to be used
	BU:	L-
	GY:	not to be used
	BK:	IO-Link
	screen:	Housing
Core colours	encoder:	
BK black	BN:	UB
BN brown	WH:	A
BU blue	BU:	GND
GY grey	GY:	B
WH white	BK:	Z/0-Pulse (90 deg)
	screen:	Housing

Remarks

Pack quantity [piece]

1

ifm electronic gmbh • Friedrichstraße 1 • 45128 Essen — We reserve the right to make technical alterations without prior notice. — GB — RU3500 — 04.03.2016