

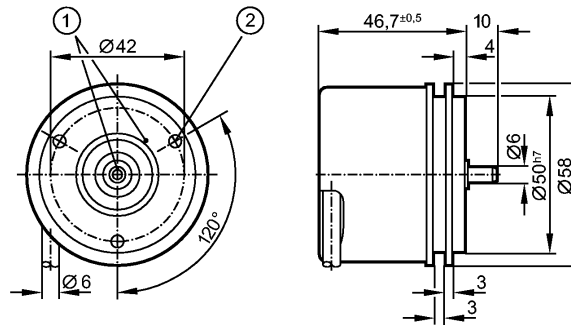
RU1189

RU-2000-I05/L6E

Encoders

Alternative article: RUP500 + E11855

When selecting an alternative article and accessories please note that technical data may differ!



1: reference mark
2: M4 5 mm deep



Product characteristics

Solid shaft encoder

TTL output 20 mA

Cable

Synchro-flange

Resolution 2000

Electrical data

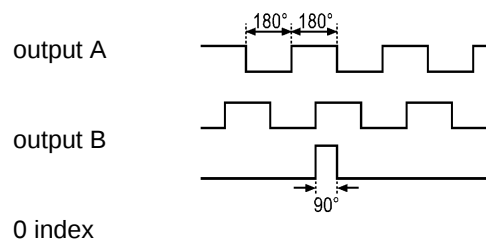
Operating voltage [V] 5 DC ± 0.5

Current consumption [mA] 150

Phase difference A und B [°] 90

Switching frequency [kHz] 300

Pulse diagram



Outputs

Output function TTL output 20 mA

Measuring / setting range

Encoders

Resolution 2000

Mechanical data

Max. permissible rpm / mech. [1/min] 12000

Starting torque [Ncm] < 1 (20 °C)

Max. shaft load (at the shaft end) [N] axial 10; radial 20

Shaft, material [mm] Ø 6, steel (1.4104)

Vibration resistance 10 g (55...2000 Hz)

Shock resistance 100 g (6 ms)

Housing materials aluminum



RU1189

RU-2000-I05/L6E

Weight	[kg]	0.75
Environment		
Max. relative air humidity	[%]	max. 98
Ambient temperature	[°C]	-30...100, -30 °C for firmly laid cable
Storage temperature	[°C]	-30...100
Protection		IP 66
Tests / approvals		
MTTF	[Years]	190
Electrical connection		
Connection		PUR cable / 6 m; radial, can also be used axially
Wiring		
brown:	A	
green:	A (inv.)	
grey:	B	
pink:	B (inv.)	
red:	0 index	
black:	0 index (inv.)	
blue:	L+ (sensor)	
white:	0V (sensor)	
brown/green:	L+ (Up)	
white/green:	0V (Un)	
lilac:	error (inv.)	
screen:	housing	
Remarks		
Pack quantity	[piece]	1

ifm efector, inc. • 1100 Atwater Drive • Malvern • PA 19355 — We reserve the right to make technical alterations without prior notice. — US — RU1189 — 01.09.2010

Alternative article: RUP500 + E11855

When selecting an alternative article and accessories please note that technical data may differ!