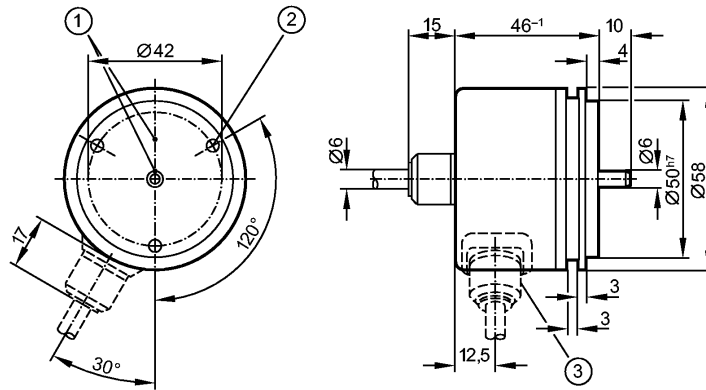


**RU1104**

RU-2500-I05/P1E

Encoders

**Alternative article: RUP500**  
**When selecting an alternative article and accessories please note that technical data may differ!**



1: reference mark  
 2: M4 5 mm deep



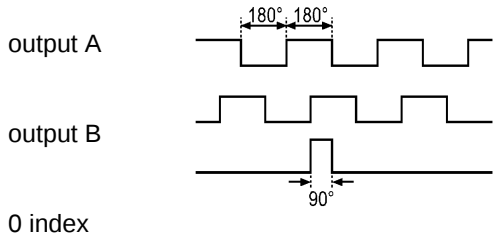
**Product characteristics**

Solid shaft encoder	
TTL output 20 mA	
Cable with connector	
Synchro-flange	
Resolution 2500	

**Electrical data**

Operating voltage	[V]	5 DC ± 0.5
Current consumption	[mA]	150
Phase difference A und B	[°]	90
Switching frequency	[kHz]	300

Pulse diagram



**Outputs**

Output function	TTL output 20 mA
-----------------	------------------

**Measuring / setting range**

Encoders	
Resolution	2500

**Mechanical data**

Max. permissible rpm / mech. [1/min]	[mm]	12000
Starting torque	[Ncm]	< 1 (20 °C)
Max. shaft load (at the shaft end) [N]		axial 10; radial 20
Shaft, material	[mm]	Ø 6, steel (1.4104)
Vibration resistance		10 g (55...2000 Hz)
Shock resistance		100 g (6 ms)



## RU1104

RU-2500-I05/P1E

Housing materials	aluminum
Weight [kg]	0.165

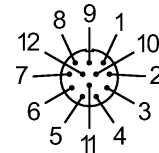
Environment	
Max. relative air humidity [%]	max. 98
Ambient temperature [°C]	-30...100, -30 °C for firmly laid cable
Storage temperature [°C]	-30...100
Protection	IP 66

Tests / approvals	
MTTF [Years]	190

Electrical connection	
Connection	PUR cable / 1 m; axial with plug; ifm 1001.1

### Wiring

- 1: B (inv.)
  - 2: L+ (sensor)
  - 3: 0 index
  - 4: 0 index (inv.)
  - 5: A
  - 6: A (inv.)
  - 7: error (inv.)
  - 8: B
  - 9: n.c.
  - 10: 0V (Un)
  - 11: 0V (sensor)
  - 13: L+ (Up)
- screen: housing



Remarks	
Pack quantity [piece]	1

ifm efector, inc. • 1100 Atwater Drive • Malvern • PA 19355 — We reserve the right to make technical alterations without prior notice. — US — RU1104 — 01.09.2010

**Alternative article: RUP500**

**When selecting an alternative article and accessories please note that technical data may differ!**