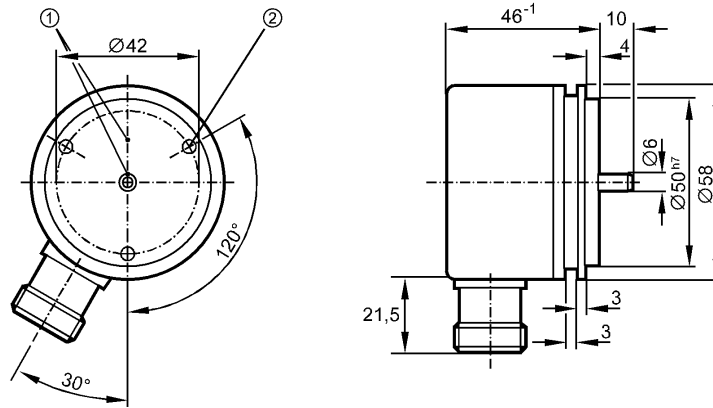


**Alternative article: RUP500**

**When selecting an alternative article and accessories please note that technical data may differ!**



1: reference mark  
2: M4 5 mm deep



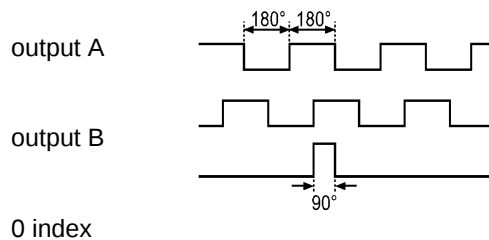
**Product characteristics**

- Solid shaft encoder
- TTL output 20 mA
- Quick disconnect
- Synchro-flange
- Resolution 500

**Electrical data**

Operating voltage [V]	5 DC ± 0.5
Current consumption [mA]	150
Phase difference A und B [°]	90
Switching frequency [kHz]	300

**Pulse diagram**



**Outputs**

Output function	TTL output 20 mA
-----------------	------------------

**Measuring / setting range**

Encoders	
Resolution	500

**Mechanical data**

Max. permissible rpm / mech. [1/min]	12000
Starting torque [Ncm]	< 1 (20 °C)
Max. shaft load (at the shaft end) [N]	axial 10; radial 20
Shaft, material [mm]	Ø 6, steel (1.4104)
Vibration resistance	15 g (55...2000 Hz)

## RU1085

RU-0500-I05/K

Shock resistance	100 g (6 ms)
Housing materials	aluminum
Weight [kg]	0.425

### Environment

Max. relative air humidity [%]	max. 98
Ambient temperature [°C]	-30...100
Storage temperature [°C]	-30...100
Protection	IP 64

### Tests / approvals

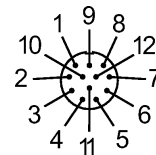
MTTF [Years]	190
--------------	-----

### Electrical connection

Connection	M23 flange plug; radial; ifm 1001.4
------------	-------------------------------------

### Wiring

- 1: B (inv.)
- 2: L+ (sensor)
- 3: 0 index
- 4: 0 index (inv.)
- 5: A
- 6: A (inv.)
- 7: error (inv.)
- 8: B
- 9: n.c.
- 10: 0V
- 11: 0V (sensor)
- 12: L+



screen: housing

### Remarks

Pack quantity [piece]	1
-----------------------	---

ifm efector, inc. • 1100 Atwater Drive • Malvern • PA 19355 — We reserve the right to make technical alterations without prior notice. — US — RU1085 — 01.09.2010

**Alternative article: RUP500**

**When selecting an alternative article and accessories please note that technical data may differ!**