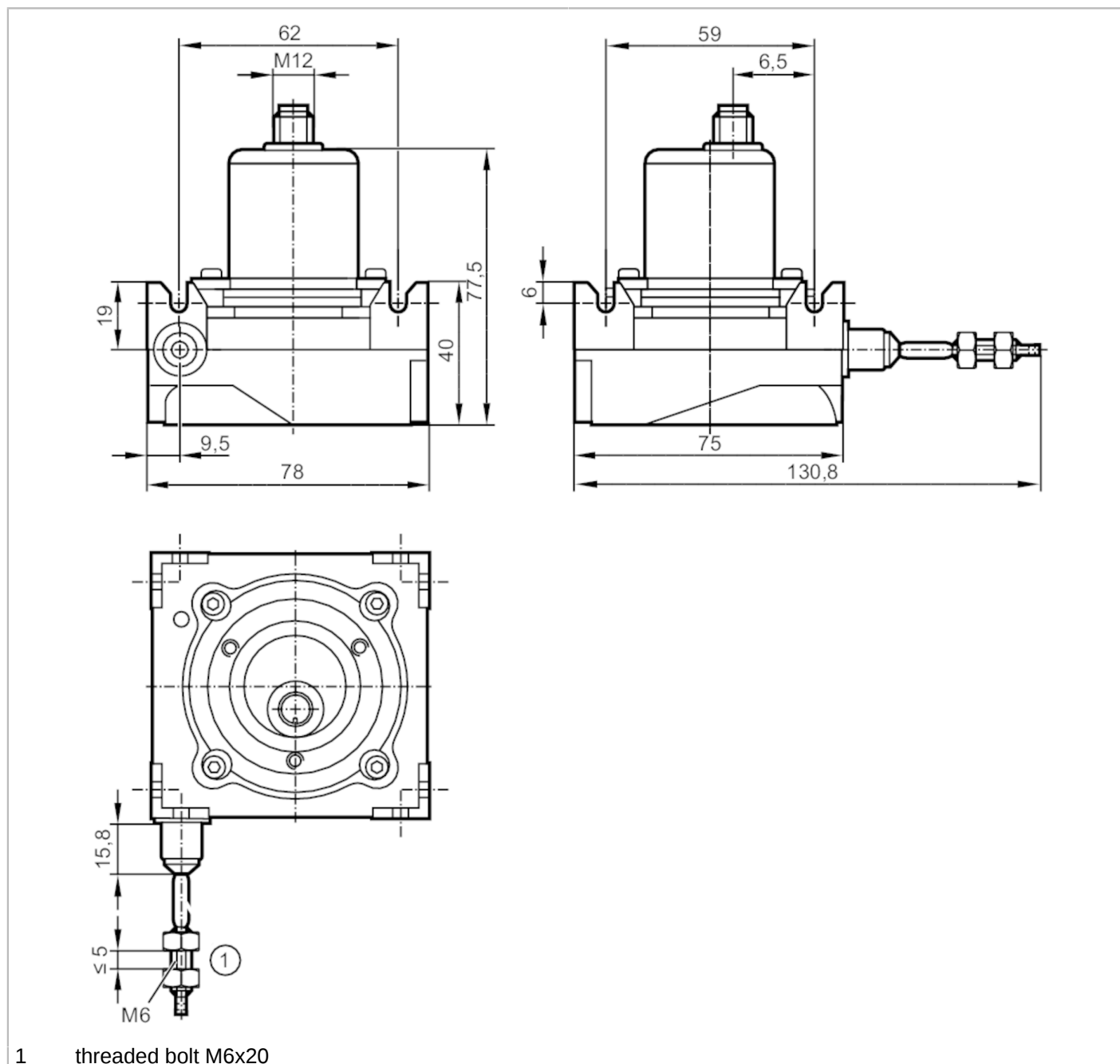


RMS002



Draw wire encoder

DRAW WIRE ENCODER



Product characteristics

Resolution 8192 steps; 16 revolutions; 17 bit

Application

Function principle absolute

Detection system magnetic

Application encoder

RMS002



Draw wire encoder

DRAW WIRE ENCODER

Electrical data			
Operating voltage	[V]	8...32 DC	
Current consumption	[mA]	< 20	
Protection class		III	
Reverse polarity protection		yes	
Max. power-on delay time	[ms]	500	
Settling time	[ms]	32	
Inputs / outputs			
Number of inputs and outputs		Number of analog outputs: 1	
Outputs			
Number of analog outputs		1	
Analog current output	[mA]	4...20	
Max. load	[Ω]	500	
Precision analog output	[%]	0,1	
Measuring/setting range			
Resolution		8192 steps; 16 revolutions; 17 bit	
Accuracy / deviations			
Accuracy		± 0.012 % FSO	
Repeatability		± 0,005 % FSO	
Software / programming			
Parameter setting options		start position; end position; central position	
Operating conditions			
Ambient temperature	[°C]	-40...80	
Storage temperature	[°C]	-40...80	
Max. relative air humidity	[%]	95; (Condensation not permissible)	
Protection		IP 64; (on the housing: IP 65)	
Tests / approvals			
MTTF	[years]	241	
Mechanical data			
Weight	[g]	696	
Material		housing: steel; wire drum: diecast zinc / plastic; wire: stainless steel polyamide coated	
Max. measuring length	[mm]	3000	
Wire drum circumference	[mm]	200	
Wire diameter	[mm]	0.87	
Wire connection		threaded bolt M6x20; eyelet Ø 2 mm	
Wire properties	max. speed of wire displacement	[m /s]	0,8
	max. wire acceleration	[g]	1
	max. extension force	[N]	3
	max. retraction force	[N]	2,5
Electrical connection			

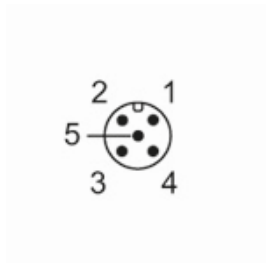
Connector: 1 x M12, for axial use; coding: A

RMS002



Draw wire encoder

DRAW WIRE ENCODER



- 1 L+
- 2 analog output
- 3 L-
- 4 Set2
- 5 Set1