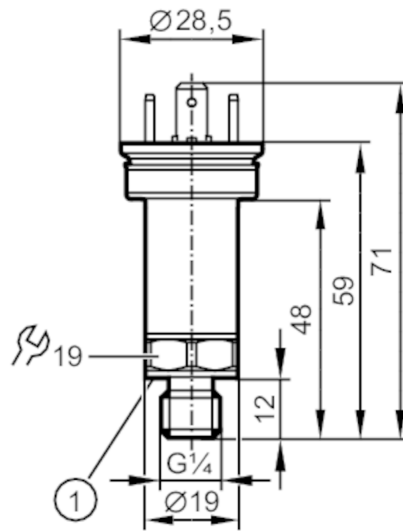


PT5000



Pressure transmitter

PT-400-SEG14-A-ZVG/VE



1 sealing



Product characteristics

Number of inputs and outputs	Number of analog outputs: 1		
Measuring range	0...400 bar	0...5800 psi	0...40 MPa
Process connection	threaded connection G 1/4 external thread (DIN EN ISO 1179-2)		

Application

Measuring element	metallic thin film cell		
Application	for mobile applications; for industrial applications		
Media	liquids and gases		
Medium temperature [°C]	-40...125		
Min. bursting pressure	1700 bar	24655 psi	170 MPa
Pressure rating	1000 bar	14500 psi	100 Mpa
Note on pressure rating	static		
Vacuum resistance [mbar]	-1000		
Type of pressure	relative pressure		

Electrical data

Operating voltage [V]	8...36 DC		
Min. insulation resistance [MΩ]	100; (500 V DC)		
Protection class	III		
Reverse polarity protection	yes		
Power-on delay time [s]	< 0.1		

Inputs / outputs

Number of inputs and outputs	Number of analog outputs: 1		
------------------------------	-----------------------------	--	--

PT5000



Pressure transmitter

PT-400-SEG14-A-ZVG/VE

Outputs			
Total number of outputs	1		
Output signal	analog signal		
Number of analog outputs	1		
Analog current output [mA]	4...20		
Max. load [Ω]	(U _b - 8 V) / 21,5 mA ; @8V= 0 Ω ; @12V max. 200 Ω; @24V max. 750 Ω		
Short-circuit proof	yes		
Overload protection	yes		
Measuring/setting range			
Measuring range	0...400 bar	0...5800 psi	0...40 MPa
Accuracy / deviations			
Repeatability [% of the span]	< ± 0,05; (with temperature fluctuations < 10 K)		
Characteristics deviation [% of the span]	< ± 0,5; (incl. drift when overtightened, zero point and span error, non-linearity, hysteresis)		
Linearity deviation [% of the span]	< ± 0,1 (BFSL) / < ± 0,2 (LS)		
Hysteresis deviation [% of the span]	< ± 0,2		
Long-term stability [% of the span]	< ± 0,1; (per 6 months)		
Temperature coefficient zero point [% of the span / 10 K]	< ± 0,1 (0...80 °C); < ± 0,2 (-40...0 °C / 80...125 °C)		
Temperature coefficient span [% of the span / 10 K]	< ± 0,1 (0...80 °C); < ± 0,2 (-40...0 °C / 80...125 °C)		
Reaction times			
Step response time analog output [ms]	2		
Operating conditions			
Ambient temperature [°C]	-40...100		
Storage temperature [°C]	-40...100		
Protection	IP 67		
Tests / approvals			
EMC	Compliant with ECE R 10, rev. 5	(E1 compliant)	
	DIN EN ISO 13766-1 : 2018	earth-moving and construction machines	
	DIN EN ISO 14982 : 2009	agricultural and forestry machines	
	ISO 11452-2	100 V/m	
	ISO 7637-2 : 2011 pulse 1	Test severity III. function state C	
	ISO 7637-2 : 2011 pulse 2b	test severity IV. function state C	
Shock resistance	DIN EN 61326-1		
	DIN EN 60068-2-27	500 g (1 ms)	
Vibration resistance	DIN EN 60068-2-6	20 g (10...2000 Hz)	
MTTF [years]	715		
UL approval	UL approval number	J043	
	File number UL	E174189	
Pressure equipment directive	sound engineering practice; can be used for group 2 fluids; group 1 fluids on request		

PT5000



Pressure transmitter

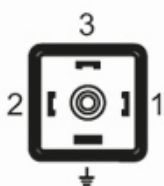
PT-400-SEG14-A-ZVG/VE

Mechanical data	
Weight [g]	67.5
Material	1.4542 (17-4 PH / 630); stainless steel (1.4404 / 316L); PPS
Materials (wetted parts)	1.4542 (17-4 PH / 630); stainless steel (1.4305 / 303)
Min. pressure cycles	60 million; (at 1.2 times nominal pressure)
Tightening torque [Nm]	25...35; (recommended tightening torque; Depends on lubrication, seal and pressure rating)
Process connection	threaded connection G 1/4 external thread (DIN EN ISO 1179-2)
Process connection sealing	FKM (DIN EN ISO 1179-2)
Restrictor element integrated	yes

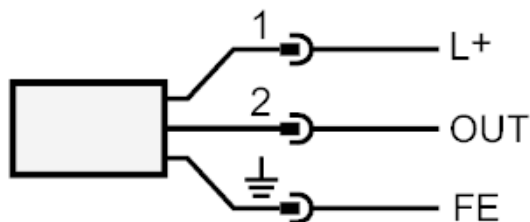
Remarks	
Remarks	BFSL = Best Fit Straight Line LS = limit value setting
Pack quantity	1 pcs.

Electrical connection

Connector: 1 x valve plug type A DIN (EN175301-803-A)



Connection



OUT analog output
FE functional earth

PT5000



Pressure transmitter

PT-400-SEG14-A-ZVG/VE

Diagrams and graphs

Characteristic load curve current output



1: Max. load

2: Min. load