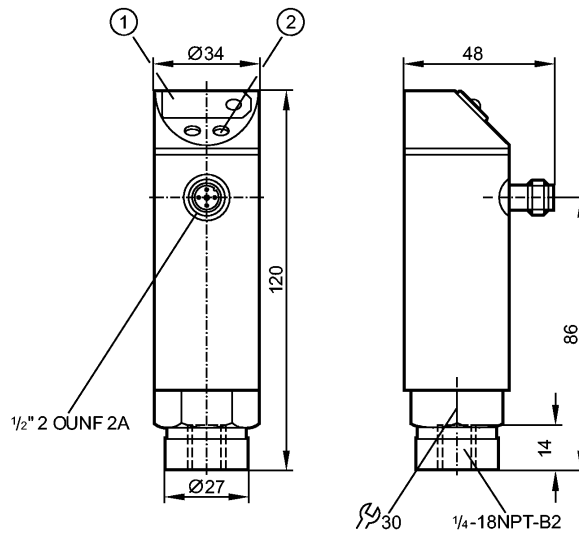


PN8507

PN4224 PRE-PROGRAMMED

Pressure sensors

customer-specific type label



- 1: 7-segment LED display
- 2: Programming button



Product characteristics

Electronic pressure monitor
Quick disconnect
Function programmable
Process connection: 1/4" NPT
Switching output
7-segment LED display
Measuring range: 0...145 psi

Application

Application	Type of pressure: relative pressure Liquids and gases
Pressure rating [psi]	1087
Bursting pressure min. [psi]	2175
Medium temperature [°C]	-25...80

Electrical data

Electrical design	AC / triac
Operating voltage [V]	85...265 AC
Nominal voltage [V]	90...250 AC (45...65 Hz)
Voltage tolerance [%]	-5 / +10
Current consumption [mA]	< 10
Insulation resistance [MΩ]	> 100 (500 V DC)
Protection class	II
Reverse polarity protection	no

Outputs

Output	Switching output
Output function	normally open / closed programmable
Current rating [mA]	250; (...70 °C); 1000 (...60 °C); 1500 (...45 °C); 2500 (...20 °C)

PN8507

PN4224 PRE-PROGRAMMED

Pressure sensors

Voltage drop	[V]	< 2
Short-circuit proof		no
Overload protection		no
Switching frequency	[Hz]	≤ 160

Measuring / setting range

Measuring range	[psi]	0...145
Setting range		
Set point, SP	[psi]	70
Reset point, rP	[psi]	55

Accuracy / deviations

Deviations (% of value of measuring range)		
Switch point accuracy		< ± 1.0
Linearity		< ± 0.5
Hysteresis		< ± 0.1
Repeatability		< ± 0.1
Long-term stability		< ± 0.1
in the temperature range	[°C]	-25...80

Reaction times

Power-on delay time	[s]	0.2
Delay time programmable dS, dr	[s]	0, 0.2,...10, 11,...50
Damping for the switching output (dAP)	[s]	0...4
Integrated watchdog		yes

Software / programming

Programming options	hysteresis / window function; N.O. / N.C; on delay, off delay; damping; calibration of displayed values; display can be rotated / deactivated; display unit	
Adjustment of the switch point	Programming button	

Environment

Ambient temperature	[°C]	-25...80
Storage temperature	[°C]	-40...100
Protection		IP 65

Tests / approvals

EMC	EN 61000-4-2 ESD:	4 kV CD / 8 kV AD
	EN 61000-4-3 HF radiated:	10 V/m
	EN 61000-4-4 Burst:	2 kV
	EN 61000-4-6 HF conducted:	10 V
Shock resistance	DIN IEC 68-2-27:	50 g (11 ms)
Vibration resistance	DIN IEC 68-2-6:	20 g (10...2000 Hz)
MTTF	[Years]	243.77

Mechanical data

Process connection		¼" NPT
Materials (wetted parts)	stainless steel (303S22); ceramics; FPM (Viton)	
Housing materials	stainless steel (304S15); PC (Makrolon); PBT (Pocan); PA; FPM (Viton)	
Switching cycles min.		100 million
Weight	[kg]	0.364

Displays / operating elements

PN8507

PN4224 PRE-PROGRAMMED

Pressure sensors

Display	Switching status LED red Function display 7-segment LED display Measured values 7-segment LED display
---------	---

Electrical connection

Connection	1/2" UNF-Connector
------------	--------------------

Wiring

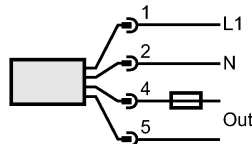
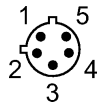
Programming of the output function:

Hno = hysteresis / N.O.

Hnc = hysteresis / N.C.

Fno = window function / N.O.

Fnc = window function / N.C.



Note: miniature fuse to IEC60127-2 sheet 1, ≤ 5 A (fast acting)

Remarks

Remarks	n.c. = not connected **) with temperature fluctuations < 10 K ***) in % of the span per year Recommendation: check the unit for reliable function after a short circuit.
---------	---

Pack quantity	[piece]	1
---------------	---------	---

customer-specific type label