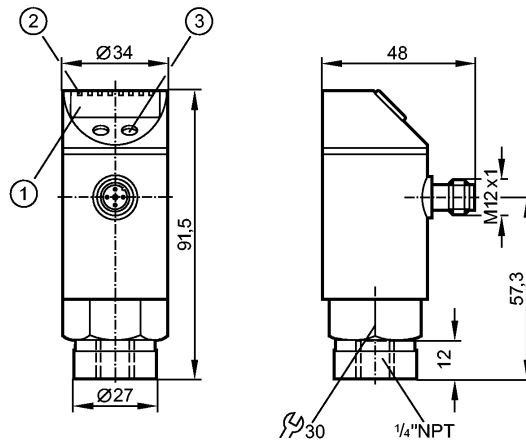


**PN5202**

PN-100-SBN14-HFPKG/US/ IV

Pressure sensors

**New generation available: PN7292**



- 1: 4-digit alphanumeric display
- 2: LEDs (display unit / switching status)
- 3: Programming button



**Product characteristics**

Electronic pressure monitor

Quick disconnect

Function programmable

Process connection: 1/4" NPT

1 switching output

4-digit alphanumeric display

Measuring range: 0...1450 psi / 0...100 bar / 0...10 MPa

**Application**

Application	Type of pressure: relative pressure Liquids and gases Use in gases at pressures > 363 psi (25 bar) only after contacting the manufacturer ifm		
Pressure rating	4350 psi	300 bar	30 MPa
Bursting pressure min.	9400 psi	650 bar	65 MPa
Medium temperature [°C]	-25...80		

**Electrical data**

Electrical design	DC PNP
Operating voltage [V]	18...36 DC 1)
Current consumption [mA]	< 50
Insulation resistance [MΩ]	> 100 (500 V DC)
Protection class	III
Reverse polarity protection	yes
Overvoltage protection [V]	up to 40 V

**Outputs**

Output	1 switching output
Output function	normally open / closed programmable
Current rating [mA]	250
Voltage drop [V]	< 2

**PN5202**

PN-100-SBN14-HFPKG/US/ /V

**Pressure sensors**

Short-circuit protection	yes (non-latching)		
Switching frequency [Hz]	≤ 170		
<b>Measuring / setting range</b>			
Measuring range	0...1450 psi	0...100 bar	0...10 MPa
Setting range			
Set point, SP	20...1450 psi	1.0...100.0 bar	0.10...10.00 MPa
Reset point, rP	10...1440 psi	0.5...99.5 bar	0.05...9.95 MPa
in steps of	10 psi	0.5 bar	0.05 MPa
Factory setting	SP1 = 360 psi; rP1 = 330 psi		
<b>Accuracy / deviations</b>			
Accuracy / deviations (in % of the span)			
Switch point accuracy	< ± 0.5		
Characteristics deviation *)	< ± 0.25 (BFSL) / < ± 0.5 (LS)		
Hysteresis	< ± 0.25		
Repeatability **)	< ± 0.1		
Long-term stability ***)	< ± 0.05		
Temperature coefficients (TEMPCO) in the temperature range -20...80° C (in % of the span per 10 K)			
Greatest TEMPCO of the zero point	0.2		
Greatest TEMPCO of the span	0.2		
<b>Reaction times</b>			
Power-on delay time [s]	0.3		
Delay time programmable dS, dr [s]	0; 0.2...50		
Integrated watchdog	yes		
<b>Software / programming</b>			
Programming options	hysteresis / window function; N.O. / N.C; on delay, off delay; damping; display unit		
<b>Environment</b>			
Ambient temperature [°C]	-20...80 (UB < 32 V) / -20...60 (UB > 32 V)		
Storage temperature [°C]	-40...100		
Protection	IP 67		
<b>Tests / approvals</b>			
EMC	EN 61000-4-2 ESD:	4 kV CD / 8 kV AD	
	EN 61000-4-3 HF radiated:	10 V/m	
	EN 61000-4-4 Burst:	2 kV	
	EN 61000-4-5 Surge:	0.5/1 kV	
	EN 61000-4-6 HF conducted:	10 V	
Shock resistance	DIN IEC 68-2-27:	50 g (11 ms)	
Vibration resistance	DIN IEC 68-2-6:	20 g (10...2000 Hz)	
MTTF [Years]	231		
<b>Mechanical data</b>			
Process connection	¼" NPT		
Materials (wetted parts)	stainless steel (303S22); ceramics; FPM (Viton)		
Housing materials	stainless steel (304S15); stainless steel 316L / 1.4404; PC (Makrolon); PBT (Pocan); PEI; FPM (Viton)		
Switching cycles min.	100 million		
Weight [kg]	0.263		

**PN5202**

PN-100-SBN14-HFPKG/US/ /V

**Pressure sensors**

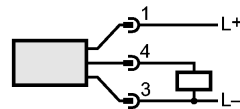
**Displays / operating elements**

Display	Display unit 3 x LED green Switching status LED yellow Function display 4-digit alphanumeric display Measured values 4-digit alphanumeric display
---------	--

**Electrical connection**

Connection	M12 connector; gold-plated contacts
------------	-------------------------------------

**Wiring**



**Remarks**

Remarks	1) to EN50178, SELV, PELV *) BFSL = Best Fit Straight Line / LS = Limit Value Setting **) with temperature fluctuations < 10 K ***) in % of value of measuring range / 6 months
---------	--

Pack quantity	[piece]	1
---------------	---------	---

**New generation available: PN7292**