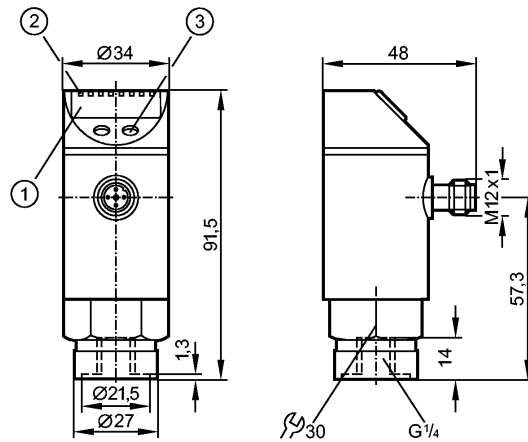


PN3002

PN-100-SBR14-MFPKG/US/ IV

Pressure sensors

New generation available: PN3092



- 1: 4-digit alphanumeric display
- 2: LEDs (display unit / switching status)
- 3: Programming button



Product characteristics

Combined pressure sensor
Quick disconnect
Function programmable
Process connection: G 1/4 I
Switching output, Analog output
4-digit alphanumeric display
Measuring range: 0...100 bar / 0...1450 psi / 0...10 MPa

Application

Application	Type of pressure: relative pressure Liquids and gases Use in gases at pressures > 25 bar only after contacting the manufacturer ifm		
Pressure rating	300 bar	4350 psi	30 MPa
Bursting pressure min.	650 bar	9400 psi	65 MPa
Medium temperature [°C]	-25...80		

Electrical data

Electrical design	DC PNP
Operating voltage [V]	18...36 DC 1)
Current consumption [mA]	< 50
Insulation resistance [MΩ]	> 100 (500 V DC)
Protection class	III
Reverse polarity protection	yes
Overvoltage protection [V]	up to 40 V

Outputs

Output	Switching output, Analog output
Output function	normally open / closed programmable; 4...20 mA or 0...10 V
Current rating [mA]	250
Voltage drop [V]	< 2
Short-circuit protection	yes (non-latching)

PN3002

PN-100-SBR14-MFPKG/US/ IV

Pressure sensors

Switching frequency [Hz]	≤ 170
Analog output	4...20 mA / 0...10 V
Max. load [Ω]	4...20 mA: max. 500 / 0...10 V: min. 2000

Measuring / setting range			
Measuring range	0...100 bar	0...1450 psi	0...10 MPa
Setting range			
Set point, SP	1.0...100.0 bar	20...1450 psi	0.10...10.00 MPa
Reset point, rP	0.5...99.5 bar	10...1440 psi	0.05...9.95 MPa
in steps of	0.5 bar	10 psi	0.05 MPa
Factory setting	SP1 = 25.0 bar; rP1 = 23.0 bar		

Accuracy / deviations	
Accuracy / deviations (in % of the span)	
Switch point accuracy	< ± 0.5
Characteristics deviation *)	< ± 0.25 (BFSL) / < ± 0.5 (LS)
Hysteresis	< ± 0.25
Repeatability **)	< ± 0.1
Long-term stability ***)	< ± 0.05
Temperature coefficients (TEMPCO) in the temperature range -20...80° C (in % of the span per 10 K)	
Greatest TEMPCO of the zero point	0.2
Greatest TEMPCO of the span	0.2

Reaction times	
Power-on delay time [s]	0.3
Delay time programmable dS, dr [s]	0; 0.2...50
Response time analog output [ms]	< 3
Integrated watchdog	yes

Software / programming	
Programming options	hysteresis / window function; N.O. / N.C; on delay, off delay; damping; display unit; current / voltage output

Environment	
Ambient temperature [°C]	-20...80
Storage temperature [°C]	-40...100
Protection	IP 67

Tests / approvals	
EMC	EN 61000-4-2 ESD: 4 kV CD / 8 kV AD
	EN 61000-4-3 HF radiated: 10 V/m
	EN 61000-4-4 Burst: 2 kV
	EN 61000-4-5 Surge: 0.5/1 kV
	EN 61000-4-6 HF conducted: 10 V
Shock resistance	DIN IEC 68-2-27: 50 g (11 ms)
Vibration resistance	DIN IEC 68-2-6: 20 g (10...2000 Hz)
MTTF [Years]	213

Mechanical data	
Process connection	G ¼ I
Materials (wetted parts)	stainless steel (303S22); ceramics; FPM (Viton)
Housing materials	stainless steel (304S15); stainless steel 316L / 1.4404; PC (Makrolon); PBT (Pocan); PEI; FPM (Viton)

PN3002

PN-100-SBR14-MFPKG/US/ /V

Pressure sensors

Switching cycles min.	100 million
Weight [kg]	0.261

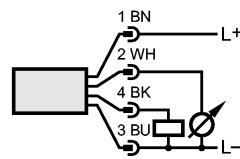
Displays / operating elements

Display	Display unit 3 x LED green Switching status LED yellow Function display 4-digit alphanumeric display Measured values 4-digit alphanumeric display
---------	--

Electrical connection

Connection	M12 connector; gold-plated contacts
------------	-------------------------------------

Wiring



Remarks

Remarks	1) to EN50178, SELV, PELV *) BFSL = Best Fit Straight Line / LS = Limit Value Setting **) with temperature fluctuations < 10 K ***) in % of value of measuring range / 6 months
---------	--

Pack quantity [piece]	1
-----------------------	---

New generation available: PN3092