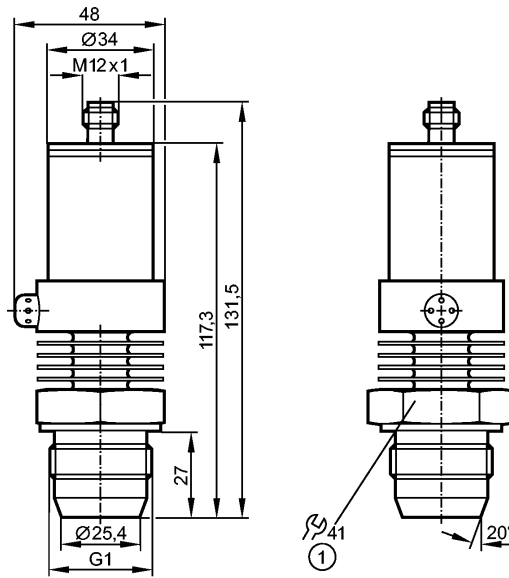


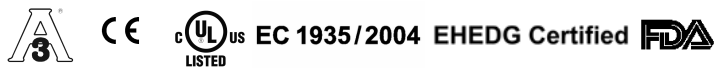
**PM2656**

PM-2.5-REA01-E-ZVG/US/ /P

Pressure sensors



1: tightening torque 20 Nm



**Product characteristics**

|   |
|---|
| Electronic pressure sensor  |
| Quick disconnect  |
| no dead space   |
| Zero and span adjustable  |
| Programmable via EPS interface                                      |
| Sealing cone G 1 male   |
| Process connection: Sealing cone G 1 male                           |
| Analog output   |
| Measuring range: -0.13...2.50 bar / -1.8...36.3 psi / -13...250 kPa |

**Application**

|                         |  |         |          |
|-------------------------|--|---------|----------|
| Application             | Type of pressure: relative pressure<br>Hygienic systems, viscous media and liquids with suspended particles<br>Liquids and gases |         |          |
| Pressure rating         | 20 bar   | 290 psi | 2000 kPa |
| Bursting pressure min.  | 50 bar   | 725 psi | 5000 kPa |
| Medium temperature [°C] | -25...125 (145 max. 1h)  |         |          |

**Electrical data**

|                             |                      |  |  |
|-----------------------------|----------------------|--|--|
| Electrical design           | 2-wire DC; 3-wire DC |  |  |
| Operating voltage [V]       | 14...30 DC           |  |  |
| Insulation resistance [MΩ]  | > 100 (500 V DC)     |  |  |
| Protection class            | III                  |  |  |
| Reverse polarity protection | yes                  |  |  |

**Outputs**

|                     |  |  |  |
|---------------------|--|--|--|
| Output              | Analog output  |  |  |
| Output function     | 4...20 mA analog   |  |  |
| Overload protection | yes  |  |  |
| Analog output       | 4...20 mA  |  |  |
| Max. load [Ω]       | max. (U <sub>b</sub> - 13 V) / 20 mA; 550 at U <sub>b</sub> = 24 V |  |  |

**PM2656**

PM-2.5-REA01-E-ZVG/US/ /P

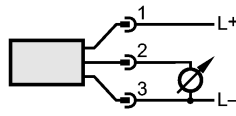
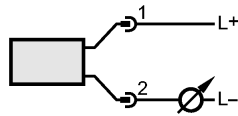
**Pressure sensors**

| Measuring / setting range  |  |                     |               |
|--|--|---------------------|---------------|
| Measuring range  | -0.13...2.50 bar   | -1.8...36.3 psi     | -13...250 kPa |
| Setting range  |  |                     |               |
| Analog start point, ASP  | -0.13...1.88 bar   | -1.8...27.2 psi     | -13...188 kPa |
| Analog end point, AEP  | 0.50...2.50 bar  | 7.3 ...36.3 psi     | 50...250 kPa  |
| in steps of  | 0.01 bar   | 0.1 psi             | 1 kPa         |
| Factory setting  | ASP = 0.0 bar; AEP = 2.50 bar  |                     |               |
| Accuracy / deviations  |  |                     |               |
| Accuracy / deviations (in % of the span) Turn down 1:1   |  |                     |               |
| Characteristics deviation *)   | < ± 0.6  |                     |               |
| Linearity  | < ± 0.5  |                     |               |
| Hysteresis   | < ± 0.1  |                     |               |
| Repeatability **)  | < ± 0.1  |                     |               |
| Long-term stability ***)   | < ± 0.1  |                     |               |
| Temperature coefficients (TEMPCO) in the temperature range 0...80° C (in % of the span per 10 K) |  |                     |               |
| Greatest TEMPCO of the zero point  | < ± 0.1  |                     |               |
| Greatest TEMPCO of the span  | < ± 0.2  |                     |               |
| Reaction times   |  |                     |               |
| Response time analog output [ms]   | 3  |                     |               |
| Environment  |  |                     |               |
| Ambient temperature [°C]   | -25...80   |                     |               |
| Storage temperature [°C]   | -40...100  |                     |               |
| Protection   | IP 67  |                     |               |
| Tests / approvals  |  |                     |               |
| EMC  | EN 61000-4-2 ESD:  | 4 kV CD / 8 kV AD   |               |
|  | EN 61000-4-3 HF radiated:  | 10 V/m              |               |
|  | EN 61000-4-4 Burst:  | 2 kV                |               |
|  | EN 61000-4-6 HF conducted:   | 10 V                |               |
| Shock resistance   | DIN IEC 68-2-27:   | 50 g (11 ms)        |               |
| Vibration resistance   | DIN IEC 68-2-6:  | 20 g (10...2000 Hz) |               |
| MTTF [Years]   | 271  |                     |               |
| Mechanical data  |  |                     |               |
| Process connection   | Sealing cone G 1 male  |                     |               |
| Materials (wetted parts)   | ceramics (99.9 % Al <sub>2</sub> O <sub>3</sub> ); PTFE; stainless steel 316L / 1.4435; surface characteristics: Ra < 0.4 / Rz 4 |                     |               |
| Housing materials  | stainless steel 316L / 1.4404; PEI; FPM (Viton)  |                     |               |
| Min. pressure cycles   | 100 million  |                     |               |
| Weight [kg]  | 0.53   |                     |               |
| Electrical connection  |  |                     |               |
| Connection   | M12 connector; gold-plated contacts  |                     |               |
| Wiring   |  |                     |               |

**PM2656**

PM-2.5-REA01-E-ZVG/US/ /P

Pressure sensors



**Remarks**

Remarks

\*) linearity, incl. hysteresis and repeatability;  
 (limit value setting to DIN 16086)  
 \*\*) with temperature fluctuations < 10 K  
 \*\*\*) in % of the span per year  
 The 3-A qualification is only valid if adapters with 3-A qualification are used for installation.

Pack quantity

[piece]

1